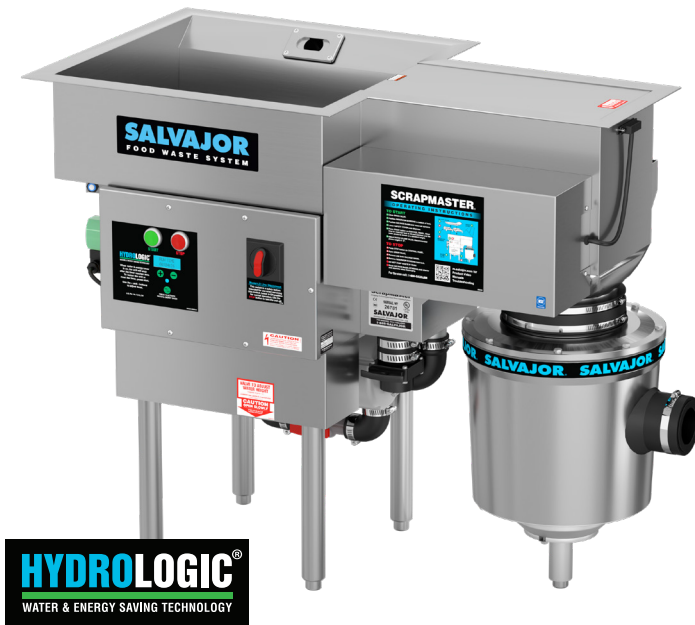


SALVAJOR® ScrapMaster®

Job: _____ Item No.: _____

Model SM



A Scrapping, Pre-Flushing and Disposing System with:

- Standard Scrap Basin, Model SM
- Pot/Pan Scrap Basin, Model PSM

Recirculated Water used by the system for pre-flushing will reduce water and sewer cost by thousands of dollars per year. The ScrapMaster consumes only 7 gallons of new water per minute while the heavy pre-flushing plume recirculates at a 30 gallon rate.

Scrapping Speed is more than doubled by a single operator as both hands are used for scrapping. The ScrapMaster's powerful plume of water takes the place of a less productive pre-rinse spray.

Problem Dishes, Trays and Cookware with dried or baked-on food need much less hand work as they can be soaking in the scrap basin while the scrapping process continues.

Design Flexibility of the ScrapMaster allows the pre-flushing and scrapping of all types of soiled tableware and cookware. The standard scrap basin accepts all soiled tableware as well as school trays. The pot/pan scrap basin accommodates dishes, school trays, pots, pans and even 26 inch sheet pans.

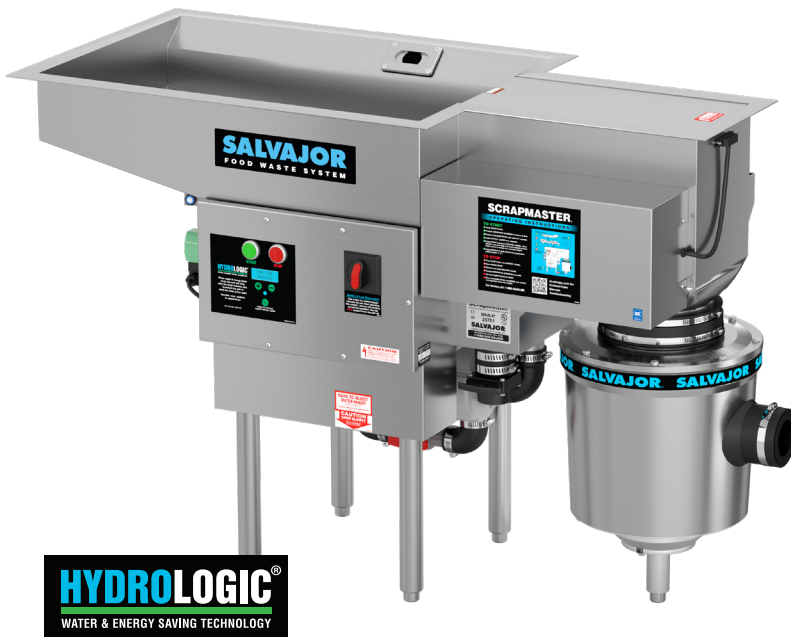
Less Splashing occurs with the ScrapMaster water plume compared to a pre-rinse spray.

HydroLogic Control Panel saves water and energy. Includes patented operator sensing technology with water saving mode.

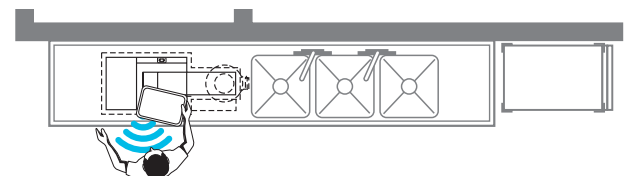
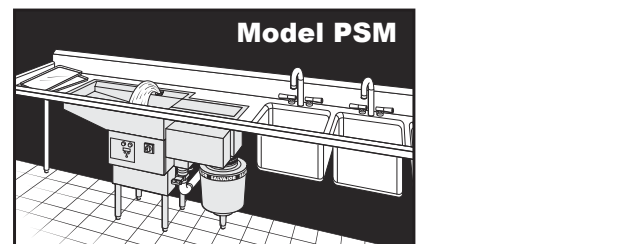
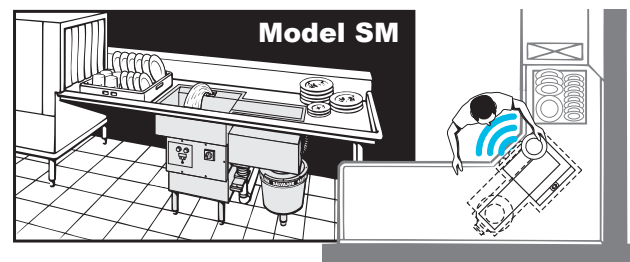
U.S. Pat. No. 7,815,134

Job: _____ Item No.: _____

Model PSM



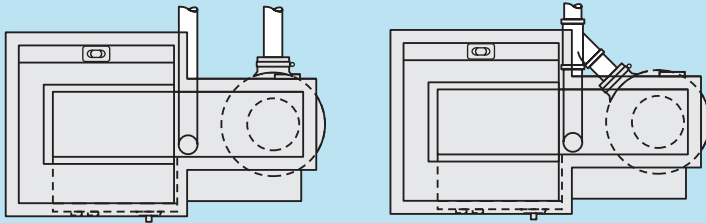
TYPICAL INSTALLATIONS



ScrapMaster® Model SM

Model SM Drain Piping

2" tank reservoir drain can be run separately or be tied in with 2"-3" disposer drain.

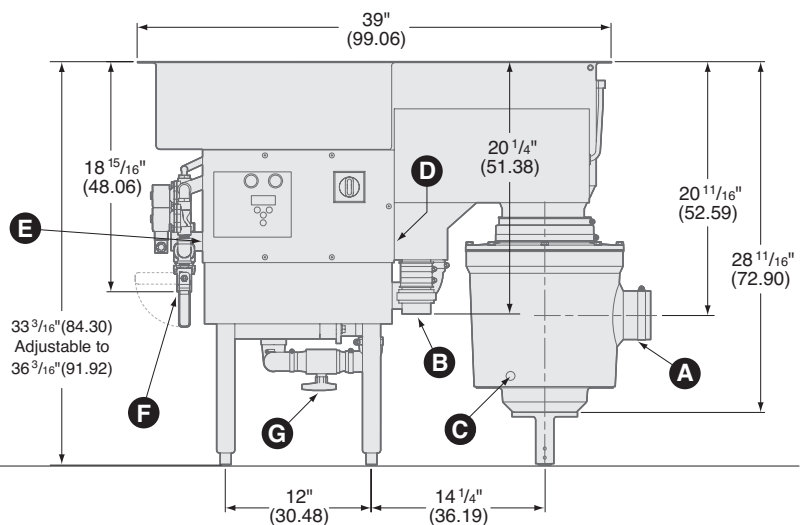
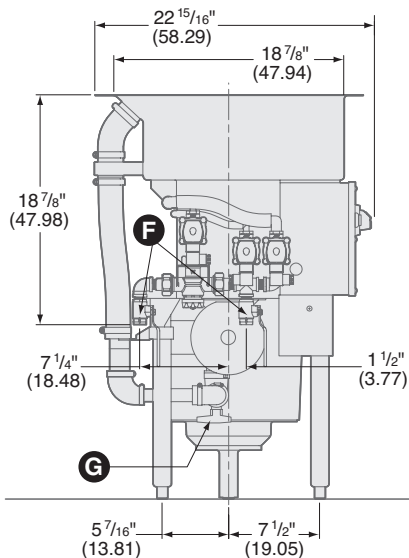
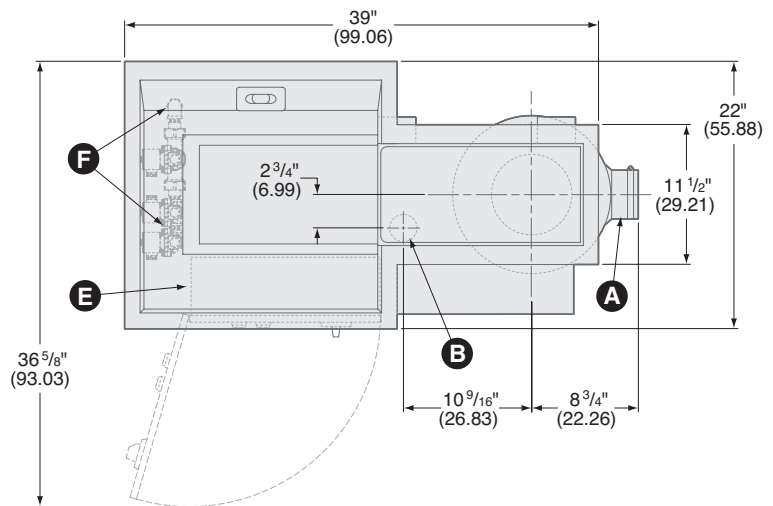
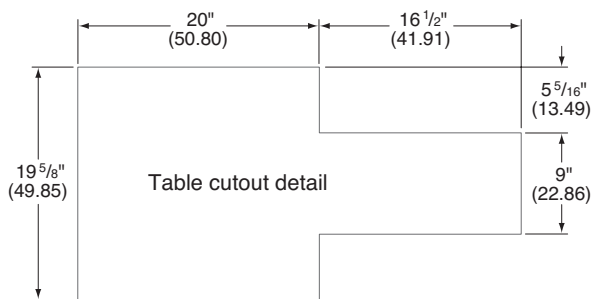


All connections are to be made by qualified personnel who will observe all local and national codes.

SM & PSM Legend

- A** Disposer outlet can be rotated at most any angle by rotating disposer. Rubber drain accepts 2" piping or 3" piping by removing drain insert.
- B** Tank reservoir drain – Plumb 2" piping from valve to floor drain or connect to disposer drain piping ahead of P trap.
- C** Disposer electrical connection.
- D** Disposer to control connection.
- E** Incoming electrical connection.
- F** Hot and cold water connection. 1/2" NPT
- G** Recirculating water valve.

NOTE: Dimensions in parenthesis are in centimeters



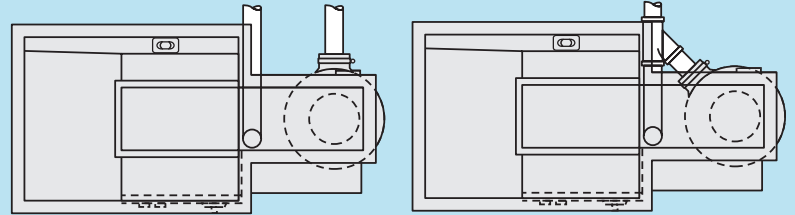
Pot/Pan ScrapMaster® Model PSM

Design Tips

- Leave a 24" space between the ScrapMaster and dishmachine. Note: If dishmachine orientation is right of the ScrapMaster, the dish rack can sit on top of the disposer access cover (16"). In this case, only 4" is needed between the ScrapMaster and dishmachine.
- Do not direct connect ScrapMaster with inline trap or interceptor.
- Unit is multi-directional. No need to specify left or right hand version.
- Optional bracket available for remote start/stop only.

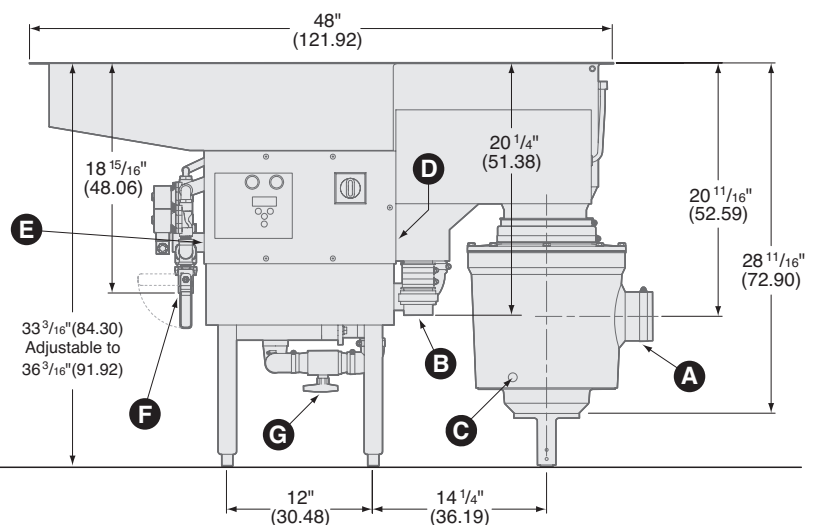
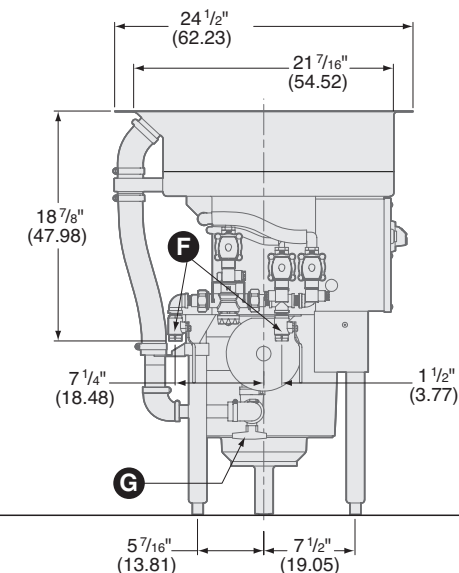
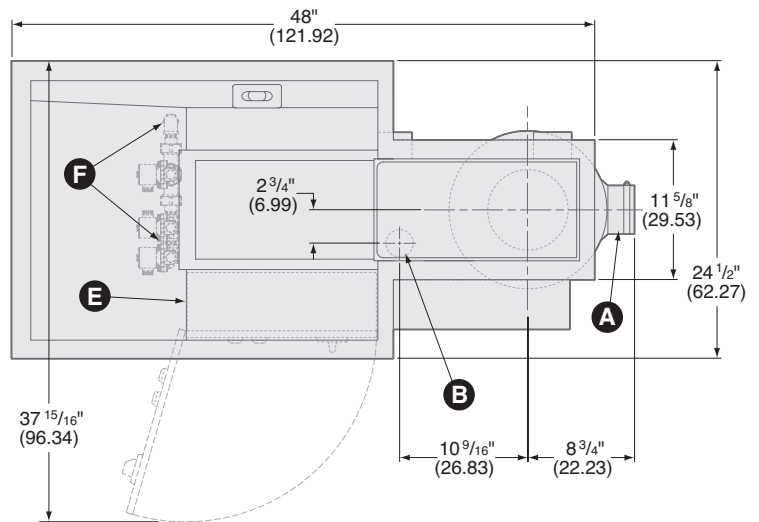
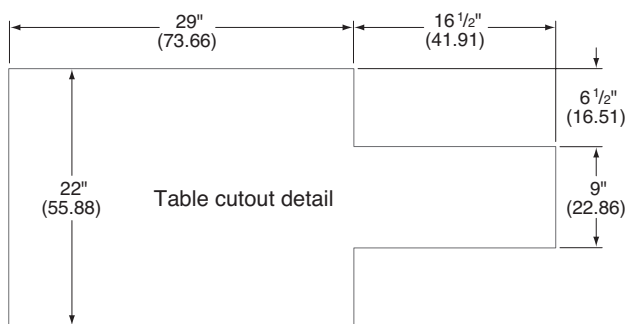
Model PSM Drain Piping

2" tank reservoir drain can be run separately or be tied in with 2"-3" disposer drain.



All connections are to be made by qualified personnel who will observe all local and national codes.

NOTE: Dimensions in parenthesis are in centimeters



ScrapMaster® System

Model SM & Model PSM Specifications

CONSTRUCTION

- Stainless Steel Components
- Salvage Basin
- Disposer Safety Cover
- Adjustable Legs
- Control Panel

ELECTRICAL

- Pre-wired NEMA 4 Panel
- Patented Operator Sensor
- Watertight Conduit/Fittings
- Separate Component Grounding
- Thermally Protected Motors
- Totally Enclosed Motors
- Line Voltage Disconnect
- Disposer Safety Switch
- 24 Volt Safety Circuitry

PLUMBING

- Corrosion Resistant Components
- Automatic Water Blender
- Solenoid Valves
- Unions
- Check Valves
- Incoming Water Valves
- Non-clogging Pump Design
- Backflow Prevention Device
- Quick Opening Drain Valve

SAMPLE SPECIFICATIONS

Unit shall be a ScrapMaster (or Pot/Pan ScrapMaster) pre-flushing scrapping and food waste disposing system with recirculating water as manufactured by Salvajor.

Model ___ SM (or PSM), ___ Volts, ___ Hz, ___ Phase.

Furnished with a pre-wired HydroLogic control panel, sensor and stainless steel NEMA 4 watertight enclosure.

SALVAJOR®

Manufacturers of Commercial Food Waste Solutions - Since 1944

4530 East 75th Terrace Kansas City, MO 64132-2081, USA

816.363.1030 | Toll Free: 1.800.725.8256 | Service: 1.888.725.8256 | Fax: 1.800.832.9373

sales@salvajor.com | service@salvajor.com | www.salvajor.com

MODELS AVAILABLE

Model	Model	Disposer
<input type="checkbox"/> 300 SM	<input type="checkbox"/> 300 PSM	3 HP
<input type="checkbox"/> 500 SM	<input type="checkbox"/> 500 PSM	5 HP

ACCESSORIES

- Remote Start-Stop Button
- Remote Mounting Bracket
- Correctional Package
- Stainless Steel Dejamming Prong

VOLTAGES AVAILABLE

(SPECIFY EXACT OPERATING VOLTAGE)

<input type="checkbox"/> 208V	<input type="checkbox"/> 230V	<input type="checkbox"/> 460V, 60 Cycle, 3 Phase
Disposer	3-5 HP	208-230-460V
Pump	¾ HP	208-230-460V
Separator	½ HP	208-230-460V

FULL LOAD AMPS

MODEL	TOTAL FULL LOAD AMPS			THREE PHASE
	208V	230V	460/480V	Total HP
300-SM/PSM	12.7	11.7	5.9	4
500-SM/PSM	17.7	16.2	8.2	6

UTILITIES REQUIRED

208, 230 or 460 Volt, 60 cycle, 3 phase electric service, ¾" hot and cold water supply and reduce to ½" at connection. 2" or 3" waste line, 2" tank reservoir drain.

(Specifications subject to change without notice.)

U.S. Pat. No. 7,815,134



Disposer
not included
in listing.

Disposer
not included
in listing.