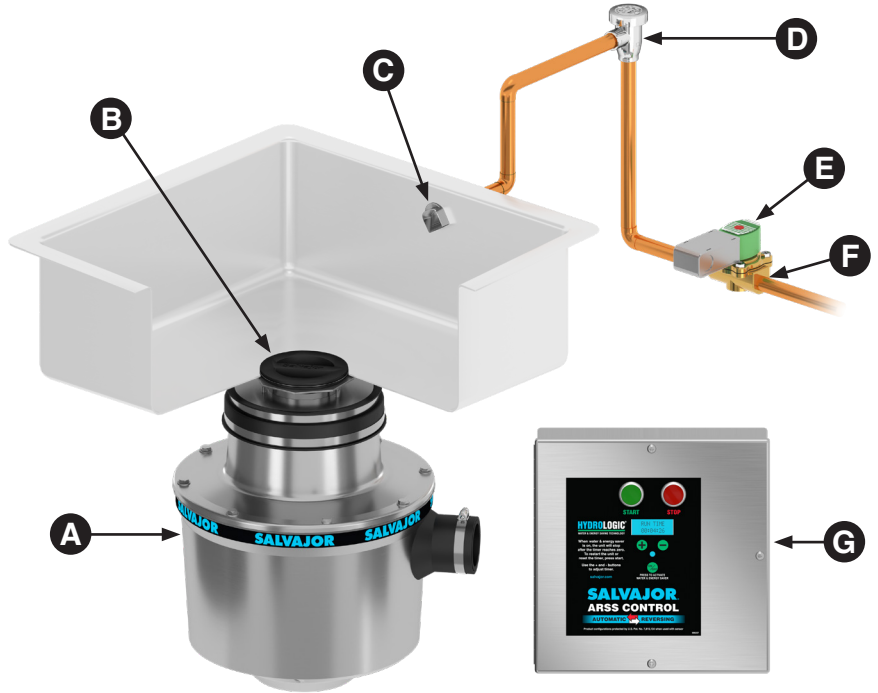


SALVAJOR SA: Sink Assembly

FOR DISPOSER MODELS: 100 - 200 - 300 - 500

EQUIPMENT FURNISHED:

- A** DISPOSER
- B** 3 1/2" or 6 1/2" SINK COLLAR ASSEMBLY
- C** FIXED NOZZLE, 1/2"
- D** VACUUM BREAKER
- E** SOLENOID VALVE, 1/2"
- F** FLOW CONTROL
- G** DISPOSER CONTROL



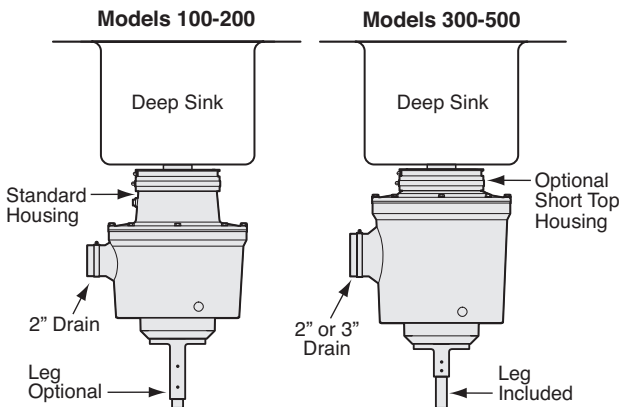
NOTE: INSTALL PER ALL APPLICABLE CODES

SAMPLE SPECIFICATION:

200	-	SA -	6 1/2"	MSS	(208/60/3)
Model		Sink Adaptor Size	Assembly	Disposer Control	Electrical Specs.

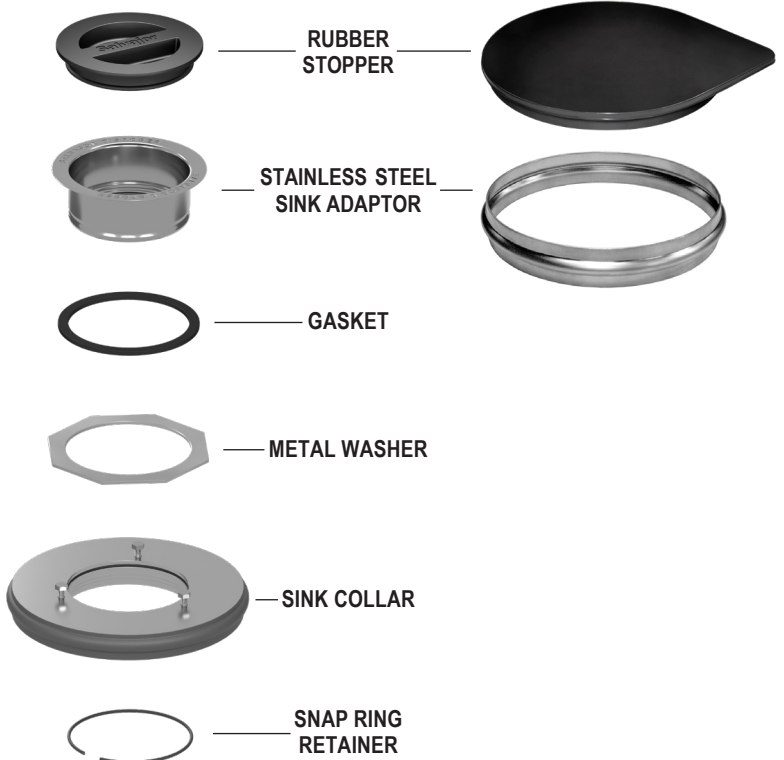
◆ SPECIFY EXACT OPERATING VOLTAGE ◆

(Specifications subject to change without notice)
Current specification details may be found online at www.salvajor.com



3 1/2" SINK COLLAR ASSEMBLY

6 1/2" SINK COLLAR ASSEMBLY



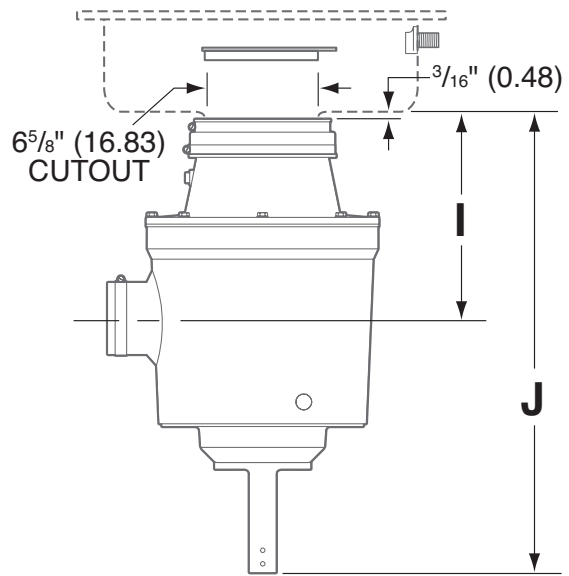
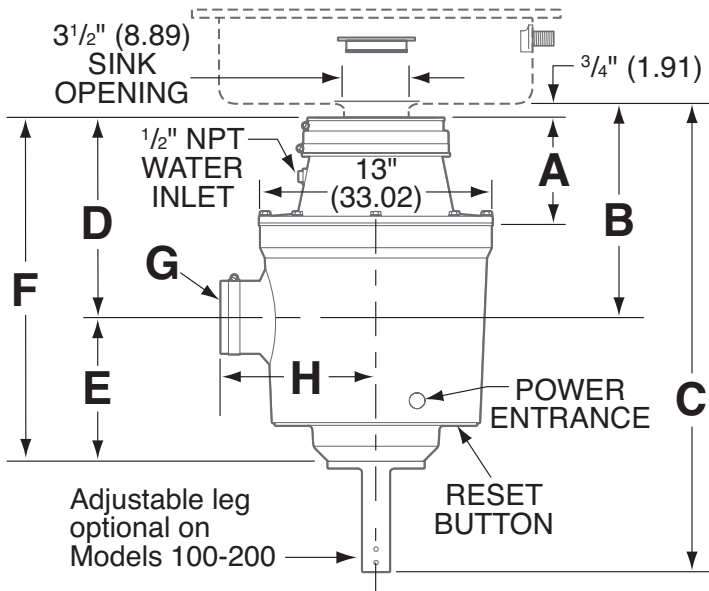
SA: Sink Assembly

DETAILS AND DIMENSIONS

FOR MODELS: 100 - 200 - 300 - 500

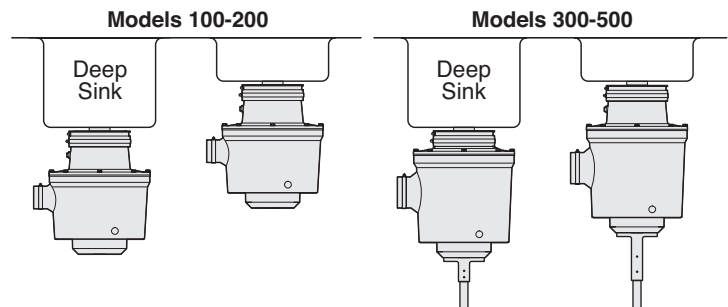
3 1/2" SINK COLLAR ASSEMBLY

6 1/2" SINK COLLAR ASSEMBLY



NOTE: Dimensions in parenthesis are in centimeters. Models 300-500 shown, Short Top & 100-200 similar.

Dimensions										
	A	B	C	D	E	F	G	H	I	J
Models 100 - 200	5-5/8" (14.29)	9-1/4" (23.50)	27-1/8" to 30-3/4" (68.90 to 78.11)	8-1/2" (21.59)	7-5/16" (18.57)	15-13/16" (40.16)	2" Drain	8-1/2" (21.59)	8-11/16" (22.07)	26-9/16" to 30-3/16" (67.47 to 76.68)
Models 300 - 500	5-5/8" (14.29)	11-3/4" (29.89)	31-3/8" to 36-7/8" (79.70 to 93.66)	11" (27.98)	8" (20.31)	19" (48.29)	2" or 3" Drain	8-5/8" (21.96)	11-3/16" (28.46)	30-13/16" to 36-5/16" (78.27 to 92.23)
300 - 500 Short Top	2-9/16" (6.51)	8-5/8" (22.01)	28-5/16" to 33-13/16" (71.92 to 85.88)	7-7/8" (20.10)	8" (20.31)	15-7/8" (40.41)	2" or 3" Drain	8-5/8" (21.96)	8-1/16" (20.48)	27-3/4" to 33-1/4" (70.49 to 84.45)



SALVAJOR

Manufacturers of Commercial Food Waste Solutions - Since 1944

4530 East 75th Terrace Kansas City, MO 64132-2081, USA
 816.363.1030 | Toll Free: 1.800.725.8256 | Service: 1.888.725.8256 | Fax: 1.800.832.9373
 sales@salvajor.com | service@salvajor.com | www.salvajor.com

Printed in USA
 Form No. SA (01-26)