

SALVAJOR Model MRSS & MRSS-LD

Pre-Wired Manual Reversing Control Panel
for Disposer Models: 100 - 200 - 300 - 500

Manual
Reversing
Start
Stop

SPECIFICATIONS

- NEMA 4 Stainless Steel Corrosion-Resistant Enclosure
- Manual Reversing Magnetic Contactors
- Start/Stop Push Buttons
- Forward/Reverse Switch
- Terminal Strip Connections

OPTIONAL:

- Line Disconnect (LD)



MRSS



MRSS-LD
(OPTIONAL)



VOLTAGES AVAILABLE

1-PHASE

115 VOLT, 208-230 VOLT

3-PHASE

208-230 VOLT, 460 VOLT

◆ SPECIFY EXACT OPERATING VOLTAGE ◆

ACCESSORIES AVAILABLE

- #P - MOUNTED 1/2" SOLENOID VALVE AND FLOW CONTROL
- #PP - MOUNTED 1/2" SOLENOID VALVE, FLOW CONTROL AND PRESSURE SWITCH
- #980104 - MOUNTING BRACKET FOR MRSS, MRSS-LD OR REMOTE START/STOP
- #RSS - REMOTE START/STOP

(Specifications subject to change without notice)
Current specification details may be found online
at www.salvajor.com

SAFETY FEATURE

The MRSS & MRSS-LD controls include an operator safety feature that prevents automatic starting of the disposer after a power interruption. To re-start the disposer, the operator must push the **START** button after positioning the selector switch in either **FORWARD** or **REVERSE**.

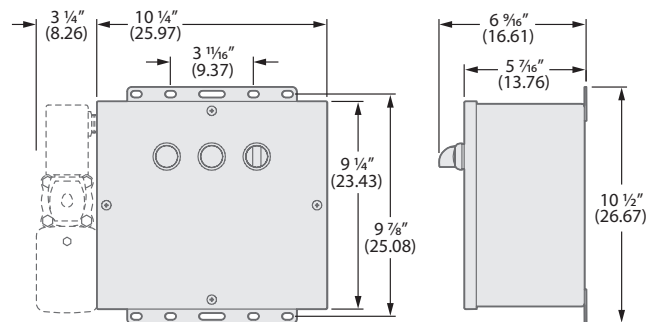
MODEL MRSS & MRSS-LD DISPOSER CONTROL

is for use with
Salvajor Models:
100 - 200 - 300 - 500

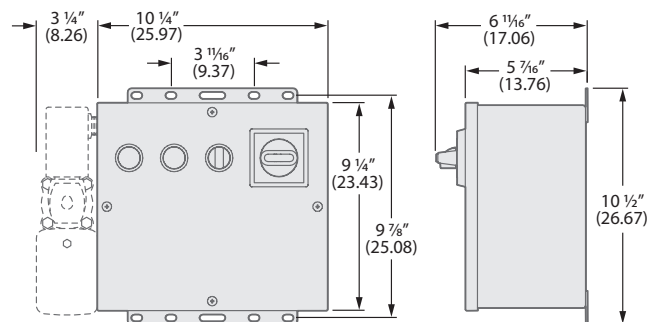
MRSS: 16 LBS. MRSS-LD: 17 LBS.



MRSS

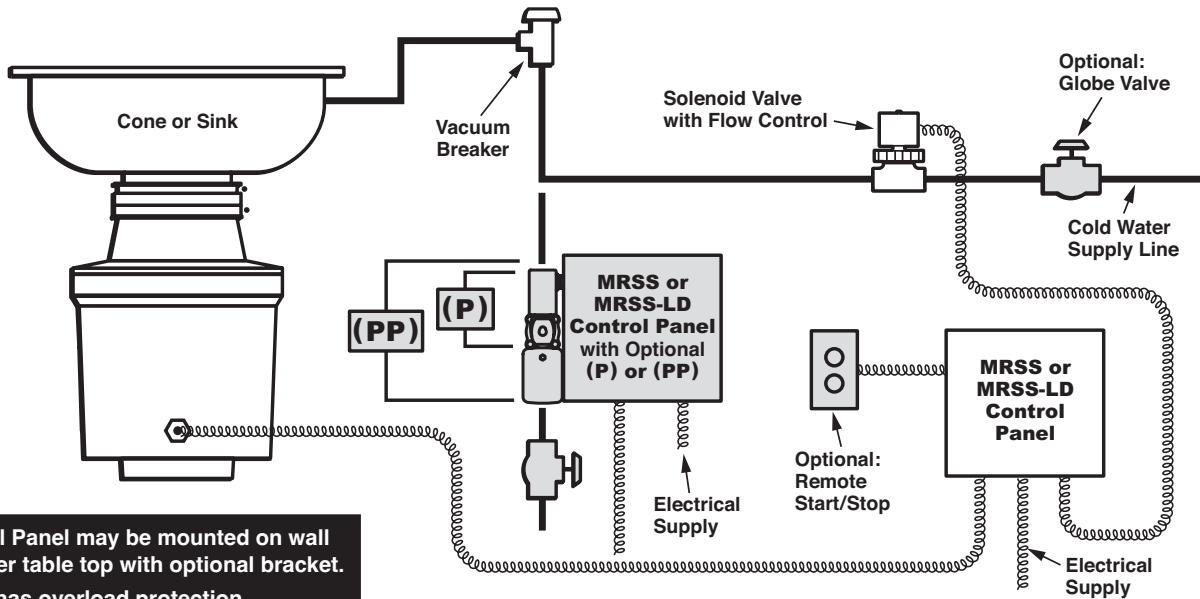


MRSS-LD



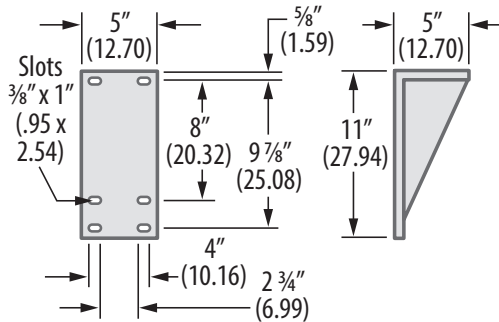
NOTE: Dimensions in parenthesis are in centimeters

Typical Installation Diagram of Model MRSS & MRSS-LD Control Panel with Disposer



NOTE: INSTALL PER ALL APPLICABLE CODES

#980104 Optional Mounting Bracket for MRSS, MRSS-LD or Remote Start/Stop



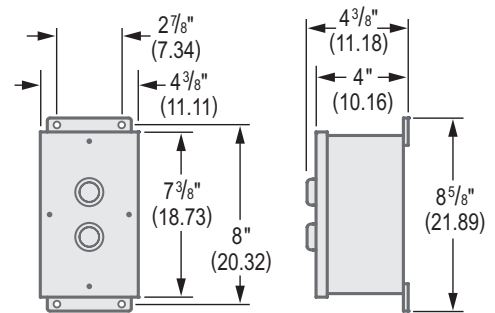
NOTE: Dimensions in parenthesis are in centimeters

SAMPLE SPECIFICATION:

MRSS manual reversing control panel with start-stop push buttons and 24 volt safety circuit.

MRSS-LD includes Line Disconnect.

#RSS Optional Remote Start/Stop



Item Numbers for Ordering

CONTROL MODEL	VOLTAGE	PHASE	ITEM NO.
MRSS or MRSS-P or MRSS-PP	115	1	MRSS4
	208 or 230	1	MRSS5
	208 or 230	3	MRSS7
	460	3	MRSS9
MRSS-LD or MRSS-LD-P or MRSS-LD-PP	115	1	MRSSLD4
	208 or 230	1	MRSSLD5
	208 or 230	3	MRSSLD7
	460	3	MRSSLD9

◆ SPECIFY EXACT OPERATING VOLTAGE ◆

SALVAJOR

Manufacturers of Commercial Food Waste Solutions - Since 1944

4530 East 75th Terrace Kansas City, MO 64132-2081, USA

816.363.1030 | Toll Free: 1.800.725.8256 | Service: 1.888.725.8256 | Fax: 1.800.832.9373

sales@salvajor.com | service@salvajor.com | www.salvajor.com

Printed in USA
Form No. MRSS/LD (01-26)