

# SALVAJOR Model ARSS & ARSS-LD

Pre-Wired Automatic Reversing Control Panel  
for Disposer Models: 100 - 200 - 300 - 500

**Automatic  
Reversing  
Start  
Stop**

## SPECIFICATIONS

- NEMA 4 Stainless Steel Watertight Enclosure
- Solid State Control Circuit
- 24 Volt Safety Circuitry
- Drain Flush
- Automatic Reversing Magnetic Contactors
- Terminal Strip Connections
- START/STOP Push Buttons
- Energy/Water-Saving Mode
- User Adjustable Run Time
- LCD Status Readout

### OPTIONAL:

- Line Disconnect (LD)
- Operator Sensor

Product configurations protected by  
U.S. Pat. No. 7,815,134 when used with sensor



**ARSS**



**ARSS-LD  
(OPTIONAL)**

**AUTOMATIC**  **REVERSING**



### VOLTAGES AVAILABLE

#### 1-PHASE

115 VOLT, 208-230 VOLT

#### 3-PHASE

208-230 VOLT, 460 VOLT

◆ SPECIFY EXACT OPERATING VOLTAGE ◆

### ACCESSORIES AVAILABLE

- **#P** - MOUNTED 1/2" SOLENOID VALVE AND FLOW CONTROL
- **#PP** - MOUNTED 1/2" SOLENOID VALVE, FLOW CONTROL AND PRESSURE SWITCH
- **#980105** - MOUNTING BRACKET
- **#980104** - REMOTE MOUNTING BRACKET
- **#RSS** - REMOTE START/STOP

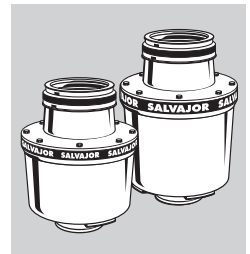
(Specifications subject to change without notice)  
Current specification details may be found online  
at [www.salvajor.com](http://www.salvajor.com)

### SAFETY FEATURE

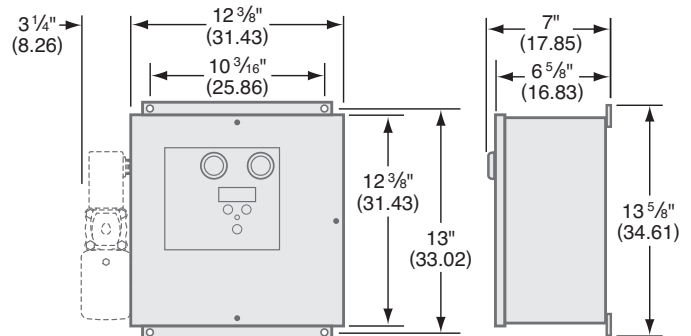
The **ARSS & ARSS-LD** controls include an operator safety feature that prevents automatic starting of the disposer after a power interruption. To re-start the disposer, the operator must push the **START** button.

### MODEL ARSS & ARSS-LD DISPOSER CONTROL

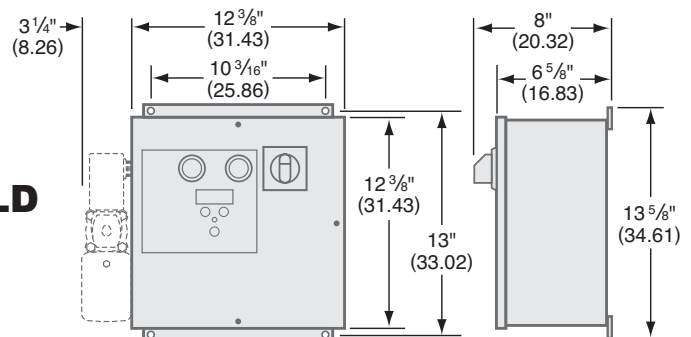
for use with  
Salvajor Models:  
100 - 200 - 300 - 500  
WEIGHT: 25 LBS.



**ARSS**

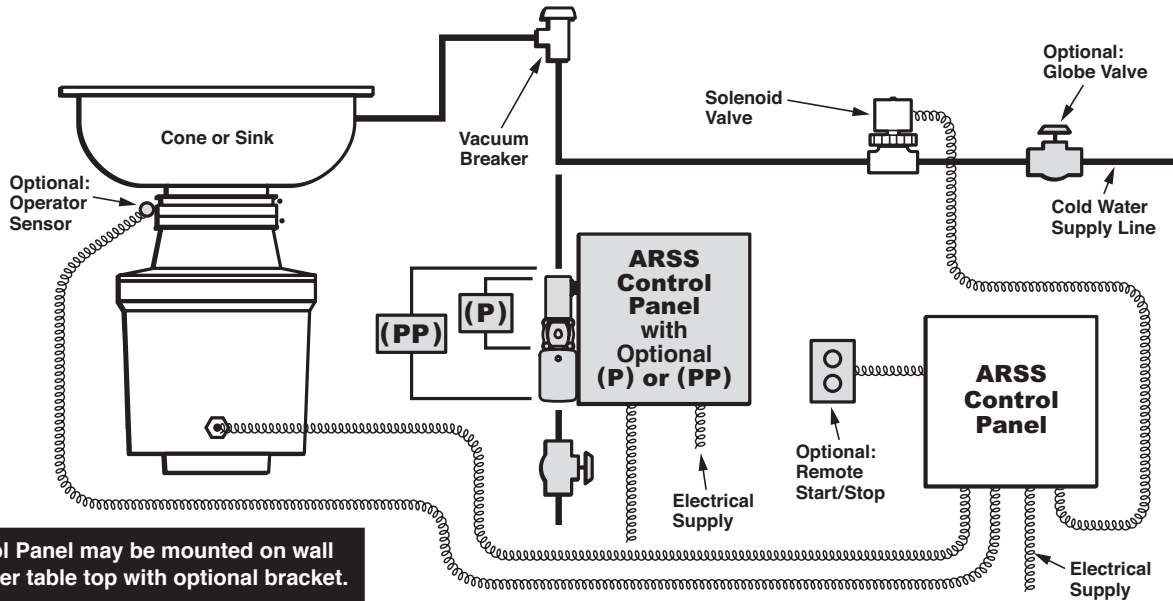


**ARSS-LD**



NOTE: Dimensions in parenthesis are in centimeters

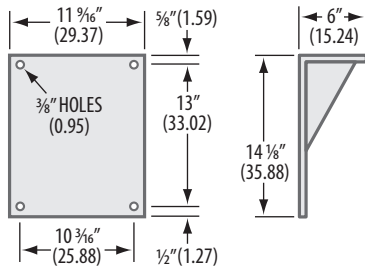
# Typical Installation Diagram of Model ARSS & ARSS-LD Control Panel with Disposer



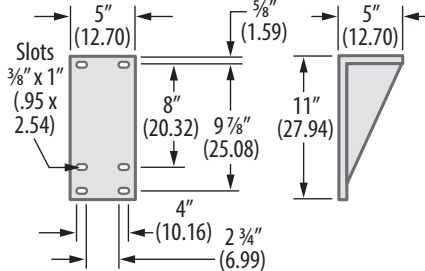
Control Panel may be mounted on wall or under table top with optional bracket. Motor has overload protection.

NOTE: INSTALL PER ALL APPLICABLE CODES

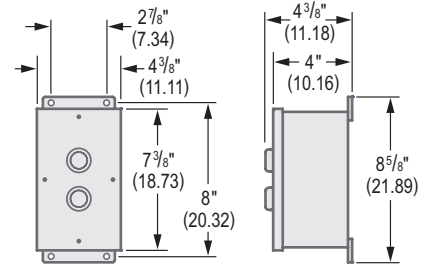
## # 980105 Optional Mounting Bracket for Control Panel



## # 980104 Optional Mounting Bracket for Remote Start/Stop



## # RSS Optional Remote Start/Stop



NOTE: Dimensions in parenthesis are in centimeters

### SAMPLE SPECIFICATION:

ARSS automatic reversing control panel with start-stop push buttons, 24 volt safety circuit, energy/water-saving mode, and adjustable run time.

ARSS-LD includes Line Disconnect.

### Item Numbers for Ordering

CONTROL MODEL	VOLTAGE	PHASE	ITEM NO.
<b>ARSS</b> or <b>ARSS-P</b> or <b>ARSS-PP</b>	115	1	ARSS4
	208 or 230	1	ARSS5
	208 or 230	3	ARSS7
	460	3	ARSS9
<b>ARSS-LD</b> or <b>ARSS-LD-P</b> or <b>ARSS-LD-PP</b>	115	1	ARSSLD4
	208 or 230	1	ARSSLD5
	208 or 230	3	ARSSLD7
	460	3	ARSSLD9

◆ SPECIFY EXACT OPERATING VOLTAGE ◆

# SALVAJOR

Manufacturers of Commercial Food Waste Solutions - Since 1944

4530 East 75th Terrace Kansas City, MO 64132-2081, USA

816.363.1030 | Toll Free: 1.800.725.8256 | Service: 1.888.725.8256 | Fax: 1.800.832.9373

sales@salvajor.com | service@salvajor.com | www.salvajor.com

Printed in USA  
Form No. ARSS (12-23)