

Adaptor Mounting Kits



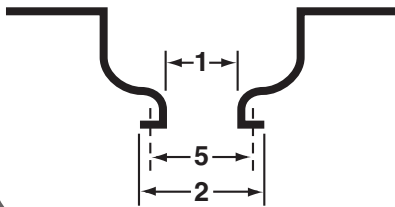
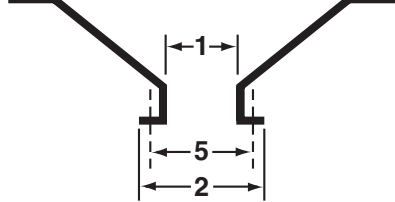
***Easily replace any
brand disposer with a
SALVAJOR DISPOSER***

SALVAJOR[®]

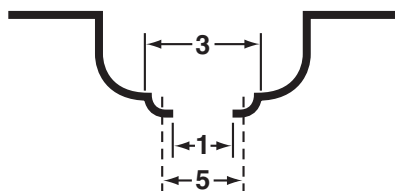
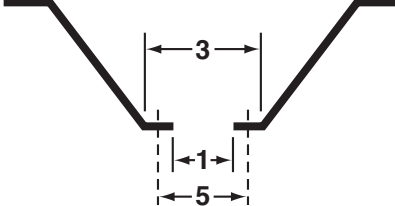
Adaptor Selection Directions

GROUP CHART

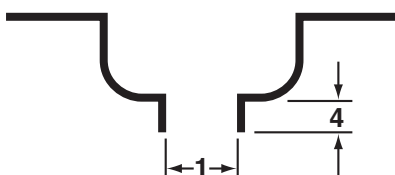
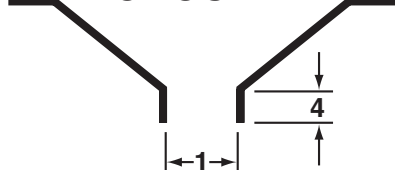
GROUP I



GROUP II



GROUP III



SELECTING PROPER ADAPTOR KIT

1. Find existing cone or sink shape with the GROUP CHART shown at left.
2. Measure #1 thru #5 dimensions from existing cone or sink. DO NOT TAKE MEASUREMENTS FROM OLD DISPOSER. Existing cone and disposer may be of different manufacture.
3. Select the adaptor kit that corresponds with your measurements shown in the chart at right.

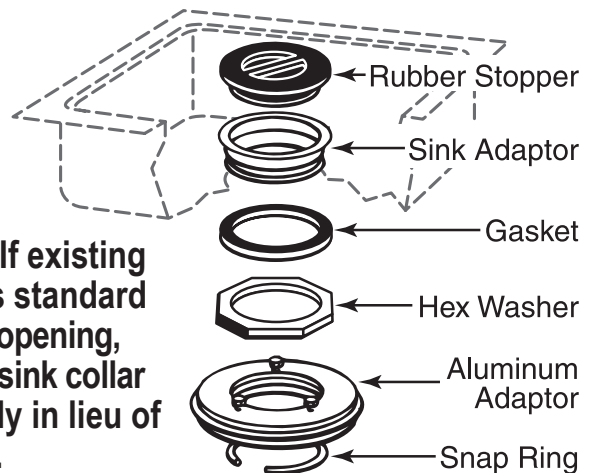
DIMENSIONS REQUIRED:

- #1 Throat opening.
 - #2 Outside diameter of flange.
 - #3 Diameter of inside bend.
 - #4 Throat height.
 - #5 Distance between opposite bolt holes.
- Number of bolt holes.
Distance from bottom of cone/sink flange to floor.

If your measurements differ from those shown, Salvajor will fabricate to your needs.

Call Salvajor Technical Support for assistance.

1-888-725-8256



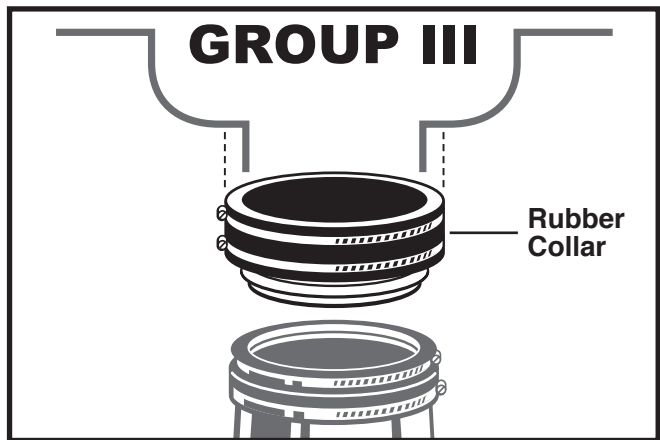
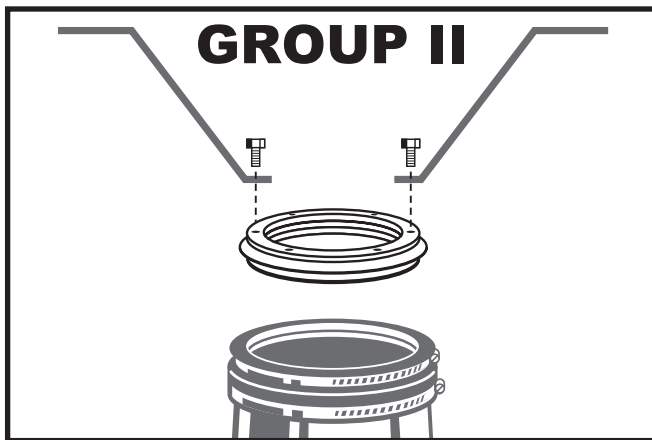
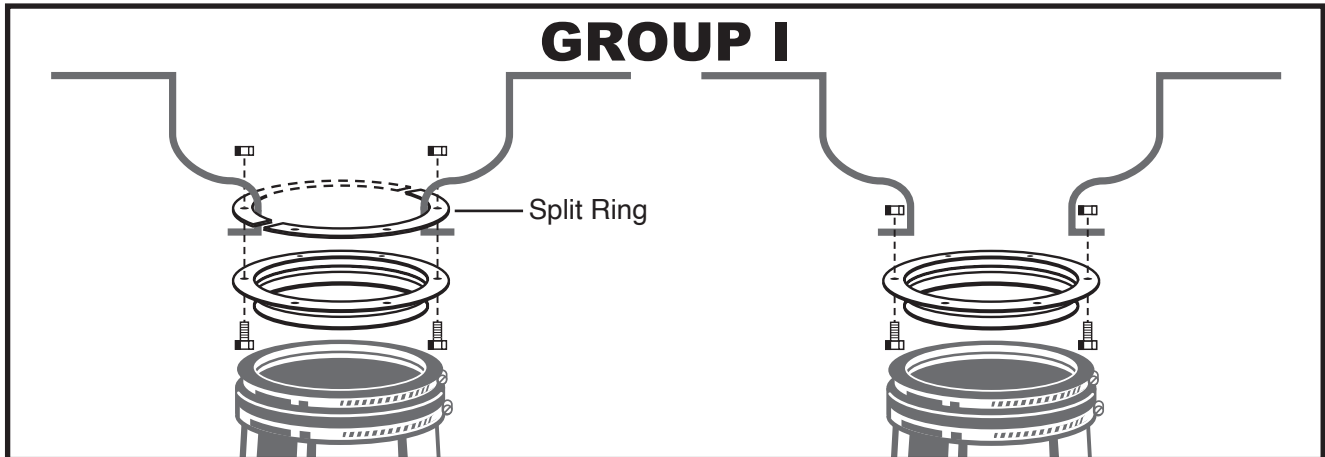
NOTE: If existing sink has standard 3½"-4" opening, use #70 sink collar assembly in lieu of adaptor.

Adaptor Selection Chart

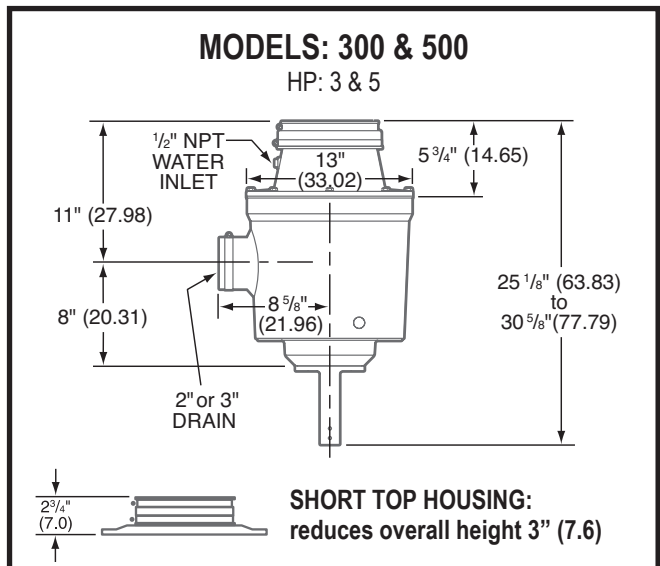
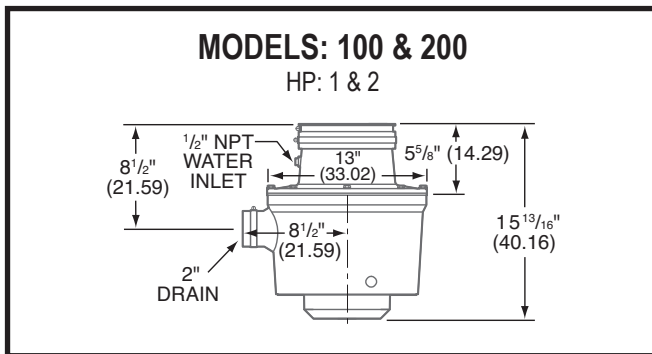
	USED BY:	DIMENSIONS FROM EXISTING CONE OR SINK					# OF BOLT HOLES	SALVAJOR ADAPTOR NUMBER	SPECIAL INFORMATION
		#1	#2	#3	#4	#5			
GROUP I	Waste King, ISE, Toledo, National	4 ½"	5 ⅛"					3500	Discard Previous Parts
	Waste King, Red Goat	4 ½"	6 ½"			5 ½"	6	3500	Discard Previous Parts
	FMC	4 ⅝"	5 ⅛"					3500	Discard Previous Parts
	FMC, Avont	5	6 ½"			6	6	3550	Discard Previous Parts
	FMC	5 ¼"	5 11/16"					3550	Retain FMC Split Ring
	Waste King	6	6 ½"					4530A	Use Cone Mounting Ring
	ISE, Toledo, Bus Boy, Toastmaster	6	7 3/16"					3300	Discard Previous Parts
	Atomic, American Delphi	6	7 ½"			6 ¾"	6	3000	Discard Previous Parts
	ISE	6 ⅝"	7 ⅞"					3900	Discard Previous Parts
	Hobart, Toledo, National	7	7 ¾"					3100	Discard Previous Parts
	Hobart, National, Big Genie	7	8 ½"			8 1/16"	10	5050	Discard Previous Parts
	ISE, Toledo	8	9 ¼"					3400	Drill Holes in Cone Flange to Match Holes in Adaptor
Hobart	9	12 1/8"			11 1/8"	8	3200	Discard Previous Parts	
GROUP II	Hobart	4 ½"		6 7/8"		5 ½"	6	7250	Retain Full Interior Ring
	Hobart	5		5 7/8"				7250	Retain Full Interior Ring
	Waste King, Bus Boy	5 7/8"		6 ½"				7250	Retain Full Interior Ring
	Waste King, Bus Boy	5 7/8"		6 7/8"				7250	Retain Full Interior Ring
	GE	6		6 ¾"				7250	Retain Full Interior Ring
GROUP III	Red Goat	4 ½"			1 ⅛"			4200	Use Leg & Retain Existing Collar
	Waste King	6			1 ⅛"			RFR	Use Leg & Retain Existing Collar
	Cannibal, Hammerall	6 ½"			1 ⅛"			STANDARD	Use Leg & Retain Existing Collar
	Red Goat	7			1 ⅛"			7550	Use Leg & Retain Existing Collar
	Master, Insinger	8 ¼"			1 ⅛"			8250	Use Leg & Retain Existing Collar

Adaptor Installations

D E T A I L S A N D D I M E N S I O N S



SALVAJOR DIMENSIONAL DATA



NOTE: Dimensions in parenthesis are in centimeters

SALVAJOR

Manufacturers of Commercial Food Waste Solutions - Since 1944

4530 East 75th Terrace Kansas City, MO 64132-2081, USA
Toll Free: 1.888.725.8256 | Fax: 1.800.832.9373
service@salvajor.com | www.salvajor.com

Printed in USA
Form No. AMK (09-21)