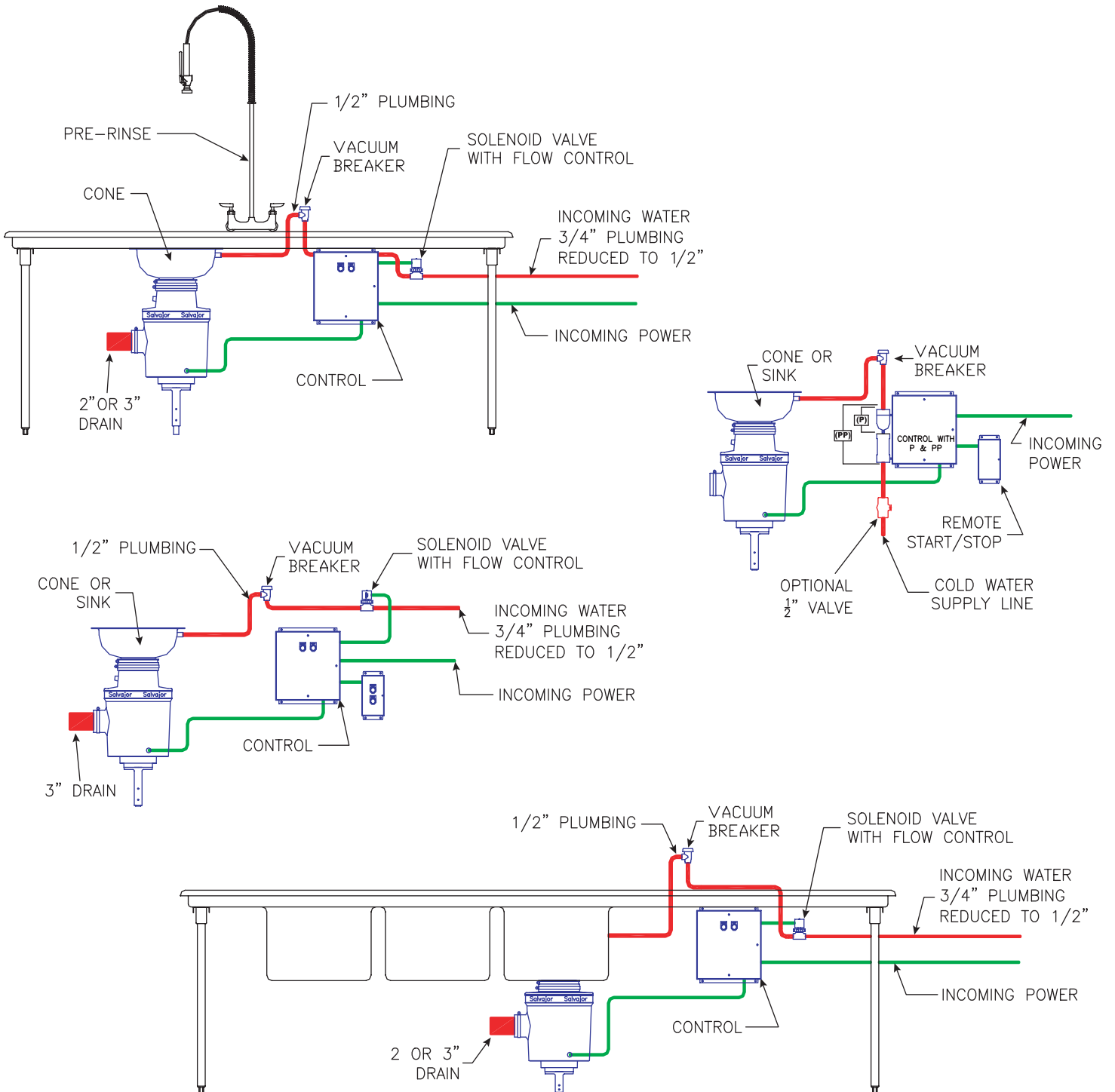


Salvajor Disposers

Models: 75 - 100 - 150 - 200 - 300 - 500

TYPICAL INSTALLATIONS



The Salvajor Company 4530 East 75th Terrace Kansas City, Missouri 64132-2081, USA
1-800-821-3136 (816) 363-1030 FAX: 1-800-832-9373
www.salvajor.com Email: sales@salvajor.com service@salvajor.com
Manufacturers of Commercial Food Waste Disposing Systems since 1944