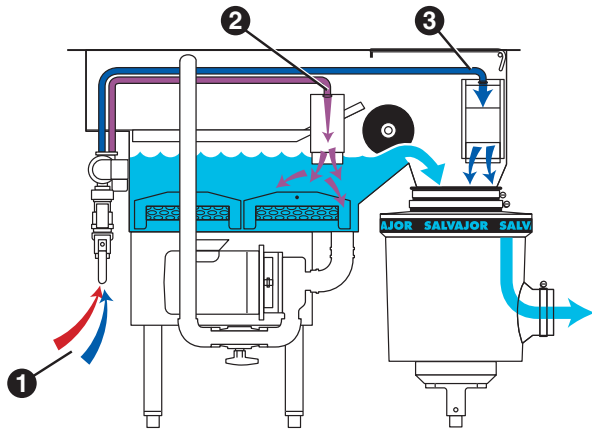
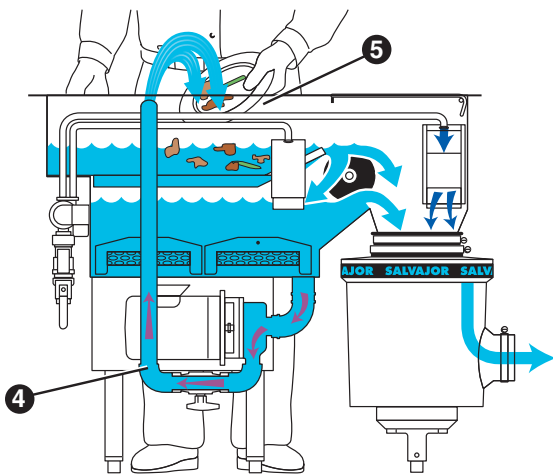


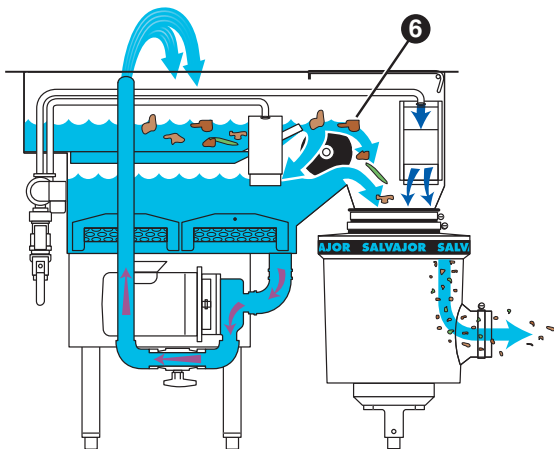
ScrapMaster® Model SM HOW IT WORKS



- 1 Hot and cold water pass through a water blender set at 107° F.
- 2 The blended water enters the tank at the rate of 5 gallons per minute.
- 3 Cold water is introduced directly into the disposer grind chamber at the rate of 2 gallons per minute.



- 4 The ScrapMaster pump recirculates water through the gusher tube.
- 5 As dishes are passed through the water plume, they are scrapped and pre-rinsed at the same time.



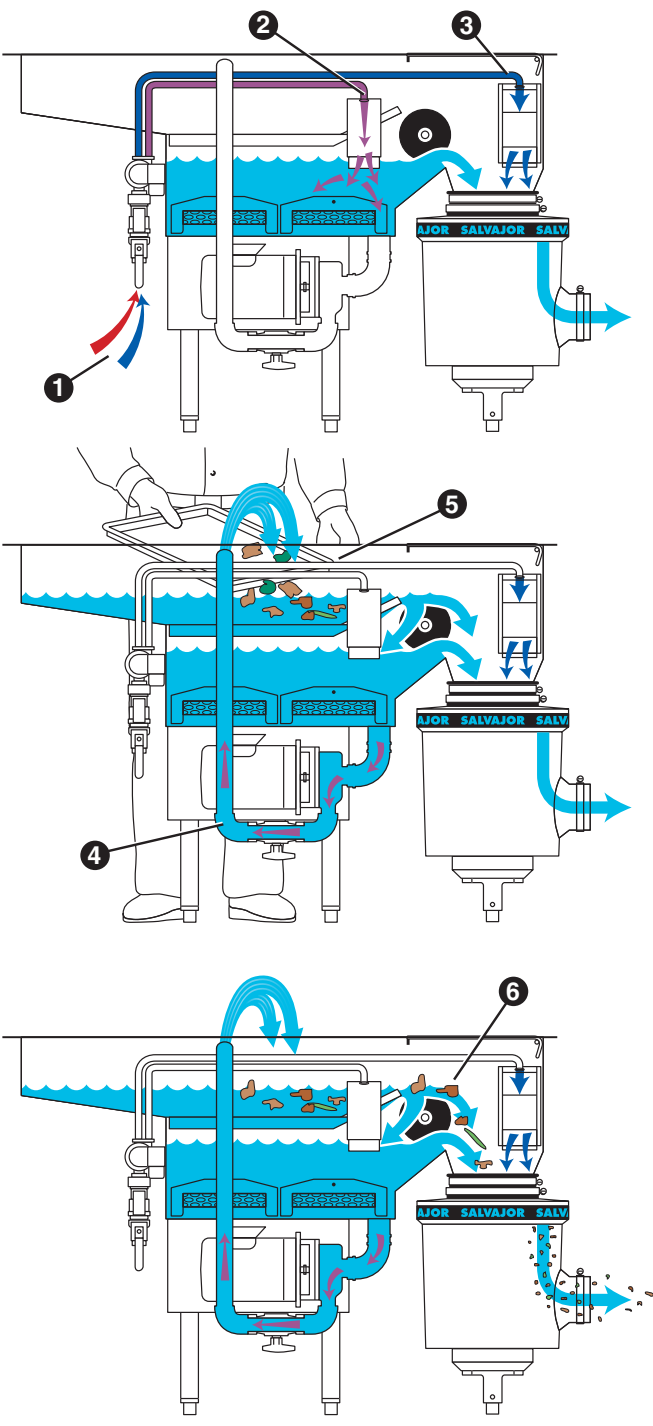
- 6 Water falls through the separator and returns to the tank reservoir while the waste falls into the disposer.

(See other side for the Pot/Pan ScrapMaster)

Pot/Pan ScrapMaster®

Model PSM

HOW IT WORKS



- 1 Hot and cold water pass through a water blender set at 107° F.
- 2 The blended water enters the tank at the rate of 5 gallons per minute.
- 3 Cold water is introduced directly into the disposer grind chamber at the rate of 2 gallons per minute.
- 4 The ScrapMaster pump recirculates water through the gusher tube.
- 5 As dishes are passed through the water plume, they are scrapped and pre-rinsed at the same time.
- 6 Water falls through the separator and returns to the tank reservoir while the waste falls into the disposer.

(See other side for the ScrapMaster)

The Salvajor Company 4530 East 75th Terrace Kansas City, Missouri 64132-2081, USA
1-800-821-3136 (816) 363-1030 FAX: 1-800-832-9373
www.salvajor.com Email: sales@salvajor.com service@salvajor.com
Manufacturers of Commercial Food Waste Disposing Systems since 1944