

Salvajor Model MSS & MSS-LD

Manual
Start
Stop

Pre-Wired Manual Start-Stop Control Panel
for Disposer Models: 100 - 200 - 300 - 500

SPECIFICATIONS

- NEMA 4 Stainless Steel Corrosion-Resistant Enclosure
- Magnetic Contactor
- Start/Stop Push Buttons
- Terminal Strip Connections

OPTIONAL:

- Line Disconnect (LD)



MSS



MSS-LD



VOLTAGES AVAILABLE

1-PHASE

115 VOLT, 208-230 VOLT

3-PHASE

208-230 VOLT, 460 VOLT

◆ SPECIFY EXACT OPERATING VOLTAGE ◆

ACCESSORIES AVAILABLE

- #P - MOUNTED 1/2" SOLENOID VALVE AND FLOW CONTROL
- #PP - MOUNTED 1/2" SOLENOID VALVE, FLOW CONTROL AND PRESSURE SWITCH
- #980104 - MOUNTING BRACKET FOR MSS, MSS-LD OR REMOTE START/STOP
- #RSS - REMOTE START/STOP

(Specifications subject to change without notice)
Current specification details may be found online
at www.salvajor.com

SAFETY FEATURE

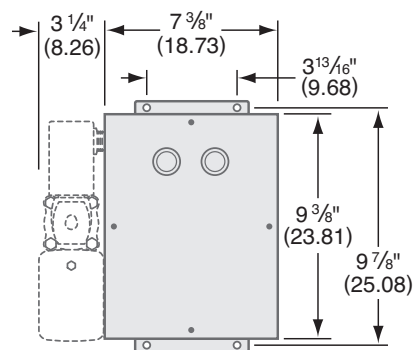
The MSS & MSS-LD controls include an operator safety feature that prevents automatic starting of the disposer after a power interruption. To re-start the disposer, the operator must push the **START** button.

MODEL MSS & MSS-LD DISPOSER CONTROL

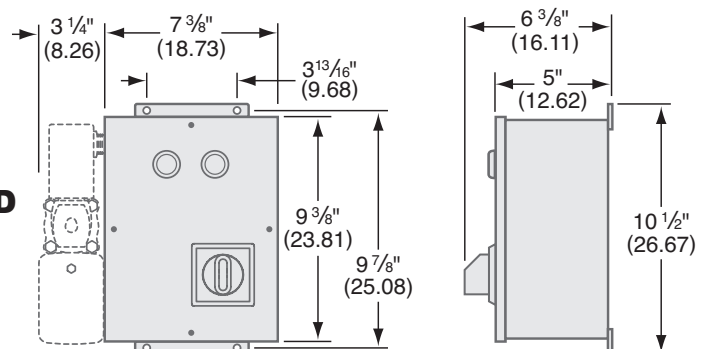
is for use with
Salvajor Models:
100 - 200 - 300 - 500
WEIGHT: 8 LBS.



MSS

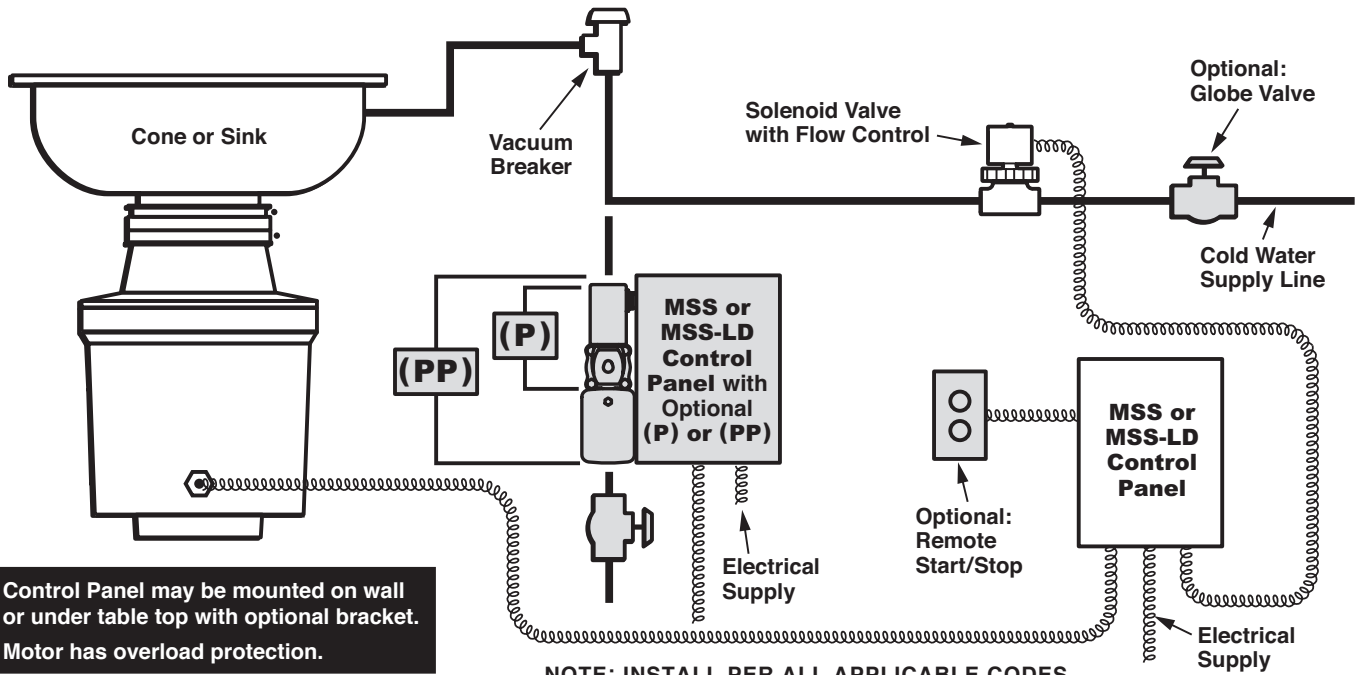


MSS-LD

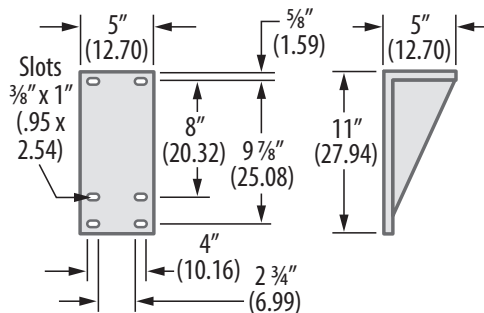


NOTE: Dimensions in parenthesis are in centimeters

Typical Installation Diagram of Salvajor Model MSS & MSS-LD Control Panel with Disposer



#980104 Optional Mounting Bracket for MSS, MSS-LD or Remote Start/Stop



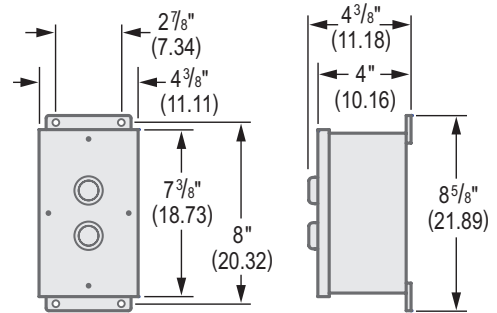
NOTE: Dimensions in parenthesis are in centimeters

SAMPLE SPECIFICATION:

MSS control panel with start-stop push buttons and 24 volt safety circuit.

MSS-LD includes Line Disconnect.

#RSS Optional Remote Start/Stop



Item Numbers for Ordering

CONTROL MODEL	VOLTAGE	PHASE	ITEM NO.
MSS	115	1	MSS4
or MSS-TD	208 or 230	1	MSS5
or MSS-P	208 or 230	3	MSS7
or MSS-PP	460	3	MSS9
MSS-LD	115	1	MSSLD4
or MSS-LD-TD	208 or 230	1	MSSLD5
or MSS-LD-P	208 or 230	3	MSSLD7
or MSS-LD-PP	460	3	MSSLD9

◆ SPECIFY EXACT OPERATING VOLTAGE ◆



The Salvajor Company 4530 East 75th Terrace Kansas City, Missouri 64132-2081, USA

1-800-SALVAJOR

(816) 363-1030

FAX: 1-800-832-9373

www.salvajor.com

Email: sales@salvajor.com

service@salvajor.com

Manufacturers of Commercial Food Waste Disposing Systems since 1944

Printed in USA
Form No. MSS/LD (10-17)