

# Salvajor Model MRSS & MRSS-LD

**M**anual  
**R**eversing  
**S**tart  
**S**top

Pre-Wired Manual Reversing Control Panel  
for Disposer Models: 100 - 200 - 300 - 500

## SPECIFICATIONS

- NEMA 4 Stainless Steel Corrosion-Resistant Enclosure
- Manual Reversing Magnetic Contactors
- Start/Stop Push Buttons
- Forward/Reverse Switch
- Terminal Strip Connections

### OPTIONAL:

- Line Disconnect (LD)



**MRSS**



**MRSS-LD**  
(OPTIONAL)



### VOLTAGES AVAILABLE

#### 1-PHASE

115 VOLT, 208-230 VOLT

#### 3-PHASE

208-230 VOLT, 460 VOLT

◆ SPECIFY EXACT OPERATING VOLTAGE ◆

### ACCESSORIES AVAILABLE

- #P - MOUNTED 1/2" SOLENOID VALVE AND FLOW CONTROL
- #PP - MOUNTED 1/2" SOLENOID VALVE, FLOW CONTROL AND PRESSURE SWITCH
- #980104 - MOUNTING BRACKET FOR MRSS, MRSS-LD OR REMOTE START/STOP
- #RSS - REMOTE START/STOP

(Specifications subject to change without notice)  
Current specification details may be found online  
at [www.salvajor.com](http://www.salvajor.com)

### SAFETY FEATURE

The MRSS & MRSS-LD controls include an operator safety feature that prevents automatic starting of the disposer after a power interruption. To re-start the disposer, the operator must push the **START** button after positioning the selector switch in either **FORWARD** or **REVERSE**.

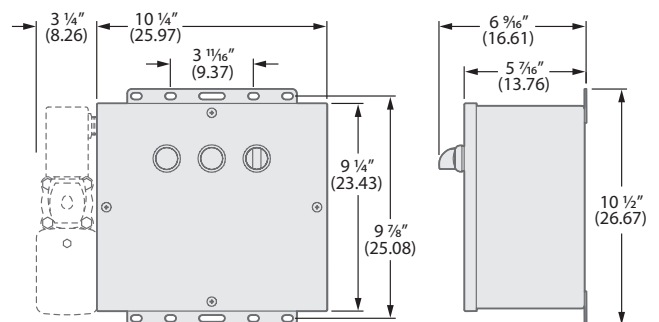
### MODEL MRSS & MRSS-LD DISPOSER CONTROL

is for use with  
Salvajor Models:  
100 - 200 - 300 - 500

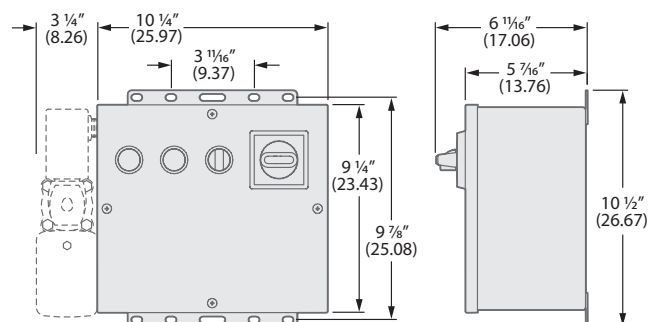
MRSS: 16 LBS. MRSS-LD: 17 LBS.



**MRSS**

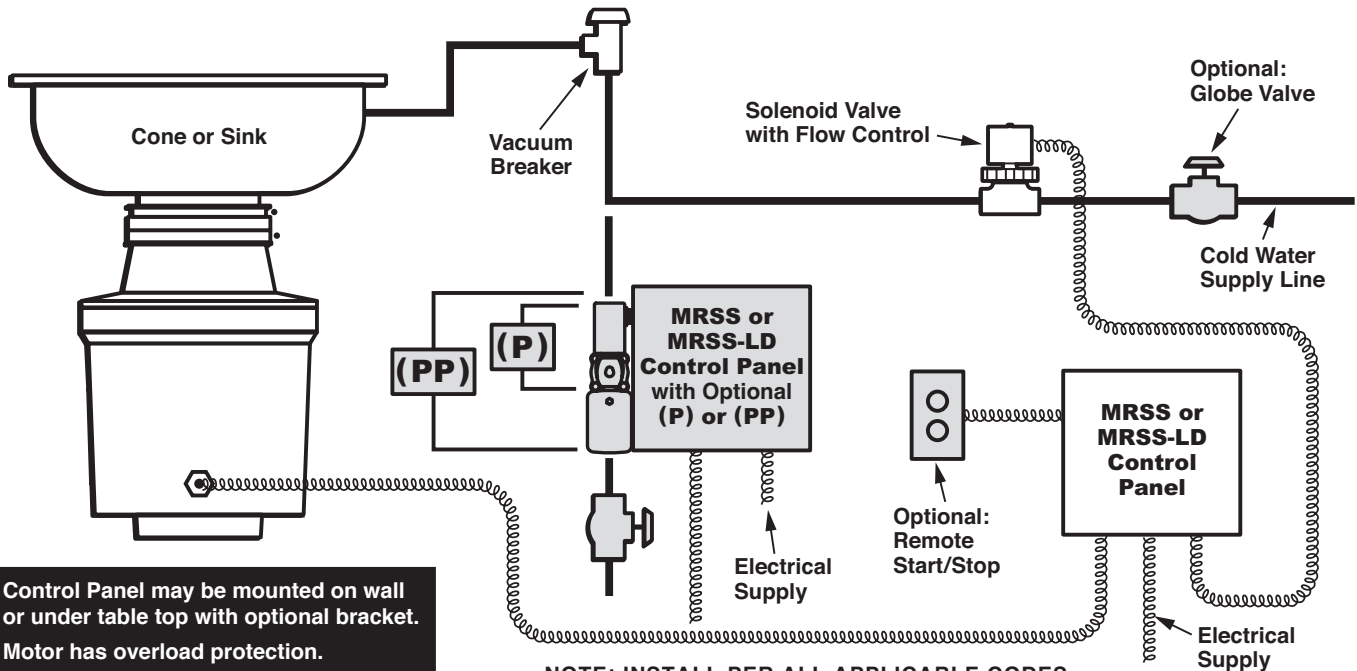


**MRSS-LD**

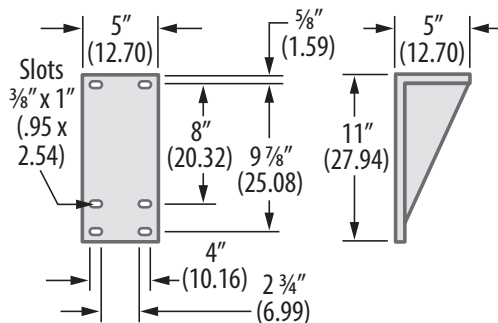


NOTE: Dimensions in parenthesis are in centimeters

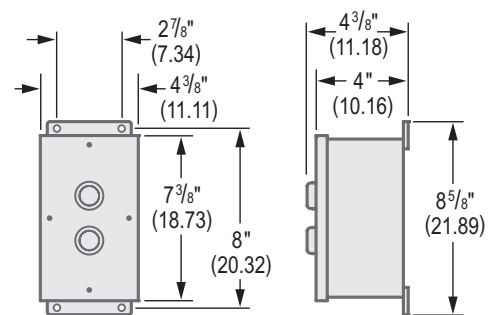
# Typical Installation Diagram of Salvajor Model MRSS & MRSS-LD Control Panel with Disposer



## #980104 Optional Mounting Bracket for MRSS, MRSS-LD or Remote Start/Stop



## #RSS Optional Remote Start/Stop



NOTE: Dimensions in parenthesis are in centimeters

### SAMPLE SPECIFICATION:

MRSS manual reversing control panel with start-stop push buttons and 24 volt safety circuit.

*MRSS-LD includes Line Disconnect.*

### Item Numbers for Ordering

CONTROL MODEL	VOLTAGE	PHASE	ITEM NO.
<b>MRSS</b>	115	1	MRSS4
<b>MRSS-TD</b>	208 or 230	1	MRSS5
<b>MRSS-P</b>	208 or 230	3	MRSS7
<b>MRSS-PP</b>	460	3	MRSS9
<b>MRSS-LD</b>	115	1	MRSSLD4
<b>MRSS-LD-TD</b>	208 or 230	1	MRSSLD5
<b>MRSS-LD-P</b>	208 or 230	3	MRSSLD7
<b>MRSS-LD-PP</b>	460	3	MRSSLD9

◆ SPECIFY EXACT OPERATING VOLTAGE ◆



**The Salvajor Company** 4530 East 75th Terrace Kansas City, Missouri 64132-2081, USA

1-800-SALVAJOR

(816) 363-1030

FAX: 1-800-832-9373

www.salvajor.com

Email: sales@salvajor.com

service@salvajor.com

Manufacturers of Commercial Food Waste Disposing Systems since 1944

Printed in USA  
Form No. MRSS/LD (10-17)