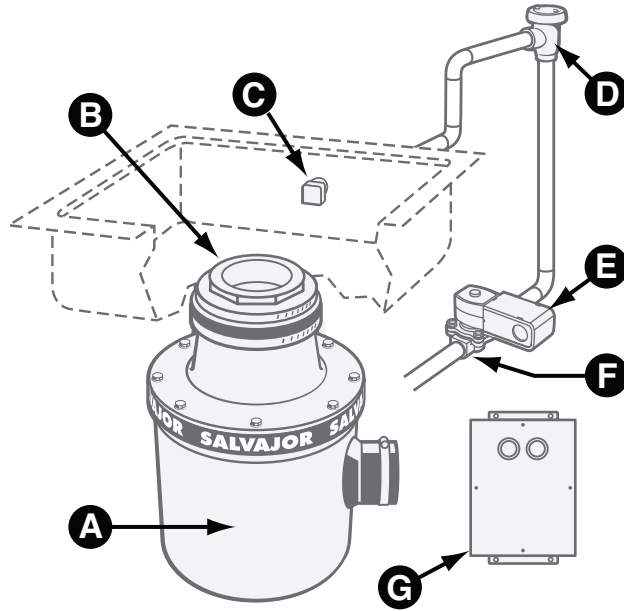


# Salvajor SA: Sink Assembly

FOR DISPOSER MODELS: 100 - 200 - 300 - 500

## EQUIPMENT FURNISHED:

- A** DISPOSER
- B** 3 1/2" or 6 1/2" SINK COLLAR ASSEMBLY
- C** FIXED NOZZLE, 1/2"
- D** VACUUM BREAKER
- E** SOLENOID VALVE, 1/2"
- F** FLOW CONTROL
- G** DISPOSER CONTROL



NOTE: INSTALL PER ALL APPLICABLE CODES

### SAMPLE SPECIFICATION:

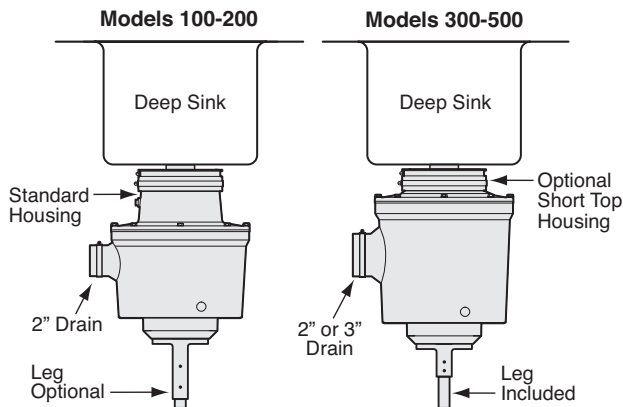
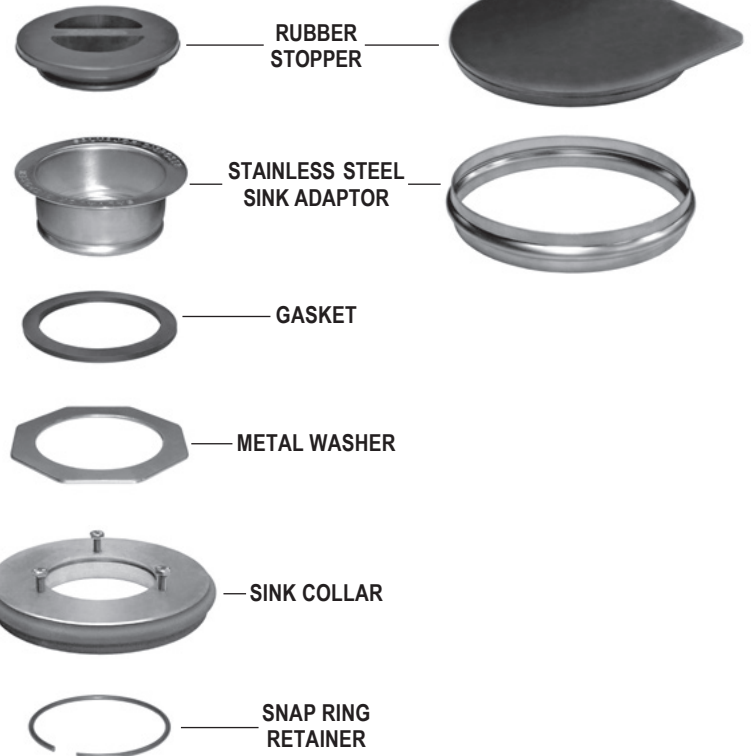
<b>200 - SA - 6 1/2"</b>		<b>MSS (208/60/3)</b>	
Model	Sink Adaptor Size	Disposer Control	Electrical Specs.
Assembly			

◆ SPECIFY EXACT OPERATING VOLTAGE ◆

(Specifications subject to change without notice)  
Current specification details may be found online at [www.salvajor.com](http://www.salvajor.com)

### 3 1/2" SINK COLLAR ASSEMBLY

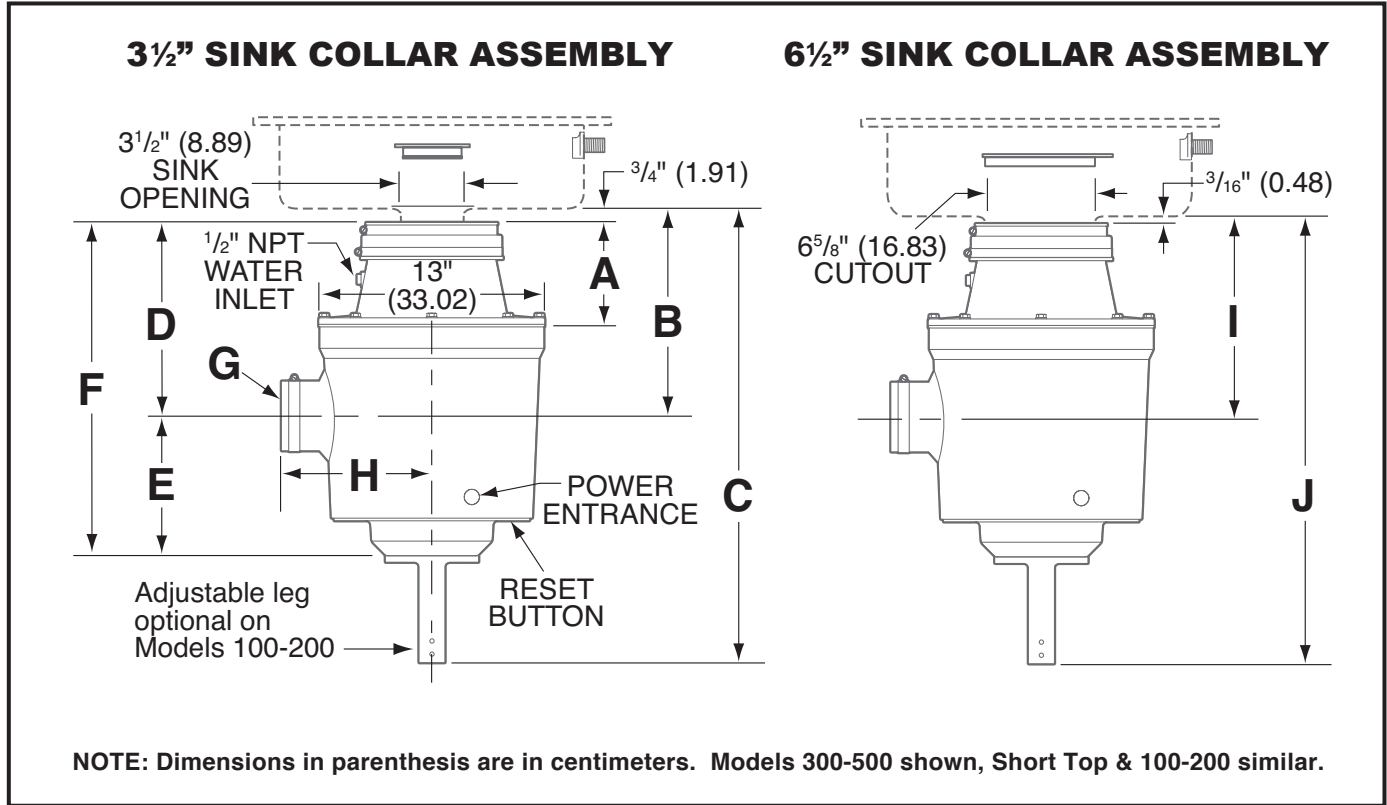
### 6 1/2" SINK COLLAR ASSEMBLY



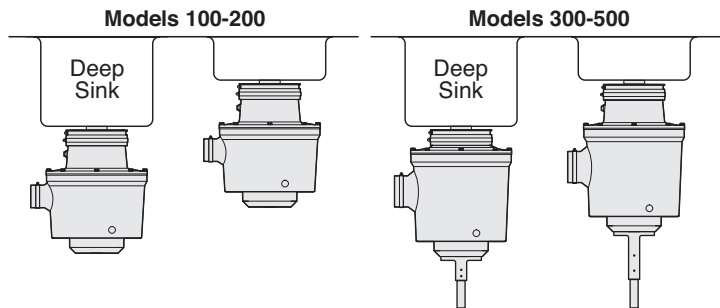
# Salvajor SA: Sink Assembly

D E T A I L S   A N D   D I M E N S I O N S

FOR MODELS: 100 - 200 - 300 - 500



Dimensions										
	A	B	C	D	E	F	G	H	I	J
<b>Models 100 - 200</b>	5-5/8" (14.29)	9-1/4" (23.50)	27-1/8" to 30-3/4" (68.90 to 78.11)	8-1/2" (21.59)	7-5/16" (18.57)	15-13/16" (40.16)	2" Drain	8-1/2" (21.59)	8-11/16" (22.07)	26-9/16" to 30-3/16" (67.47 to 76.68)
<b>Models 300 - 500</b>	5-5/8" (14.29)	11-3/4" (29.89)	31-3/8" to 36-7/8" (79.70 to 93.66)	11" (27.98)	8" (20.31)	19" (48.29)	2" or 3" Drain	8-5/8" (21.96)	11-3/16" (28.46)	30-13/16" to 36-5/16" (78.27 to 92.23)
<b>300 - 500 Short Top</b>	2-9/16" (6.51)	8-5/8" (22.01)	28-5/16" to 33-13/16" (71.92 to 85.88)	7-7/8" (20.10)	8" (20.31)	15-7/8" (40.41)	2" or 3" Drain	8-5/8" (21.96)	8-1/16" (20.48)	27-3/4" to 33-1/4" (70.49 to 84.45)



**The Salvajor Company** 4530 East 75th Terrace Kansas City, Missouri 64132-2081, USA  
 1-800-SALVAJOR (816) 363-1030 FAX: 1-800-832-9373  
 www.salvajor.com Email: sales@salvajor.com service@salvajor.com  
 Manufacturers of Commercial Food Waste Disposing Systems since 1944