

# Salvajor Offset Chute

FOR MODELS: 100 - 200 - 300 - 500

## SPECIFICATIONS:

- Specifically designed for correctional/institutional use
- Prevents accidental insertion of hands and other foreign objects
- Made of corrosion-resistant stainless steel
- Efficiently located fixed nozzles for thorough flushing of food waste into disposer, using a minimum amount of water
- Includes 3 disposer support legs with bolt down flanges.

### FOR USE WITH:

**SA:** Sink Assembly 3 1/2" or 6 1/2"

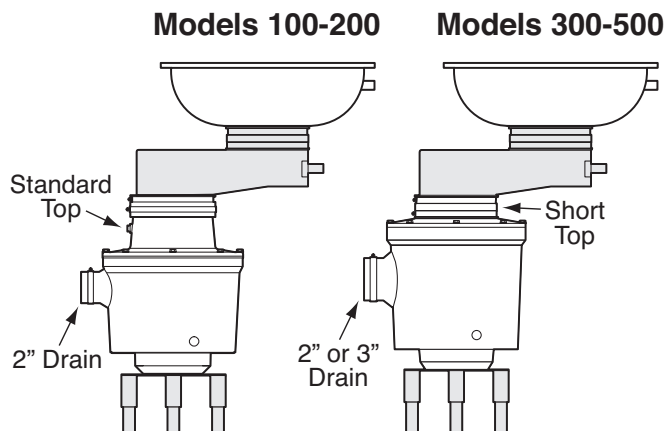
**CA:** Cone Assembly 12", 15" or 18"

### SAMPLE SPECIFICATION

**500-CA-18-OFC ARSS (460/60/3)**

Model	Cone Size	Disposer Control	Electrical Specs.
Assembly	Offset Chute		

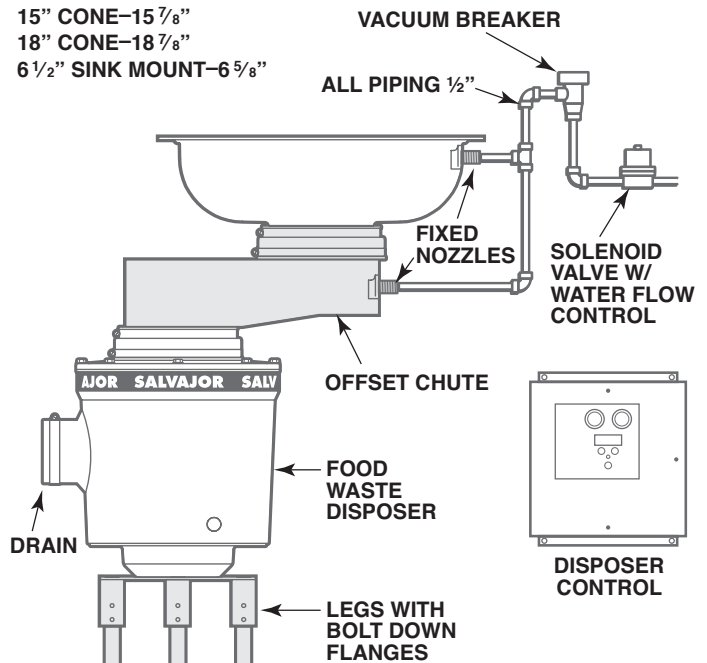
(Specifications subject to change without notice)  
Current specification details may be found online at [www.salvajor.com](http://www.salvajor.com)



### Cone Assembly

#### TABLE CUT-OUT :

- 12" CONE-12 7/8"
- 15" CONE-15 7/8"
- 18" CONE-18 7/8"
- 6 1/2" SINK MOUNT-6 5/8"

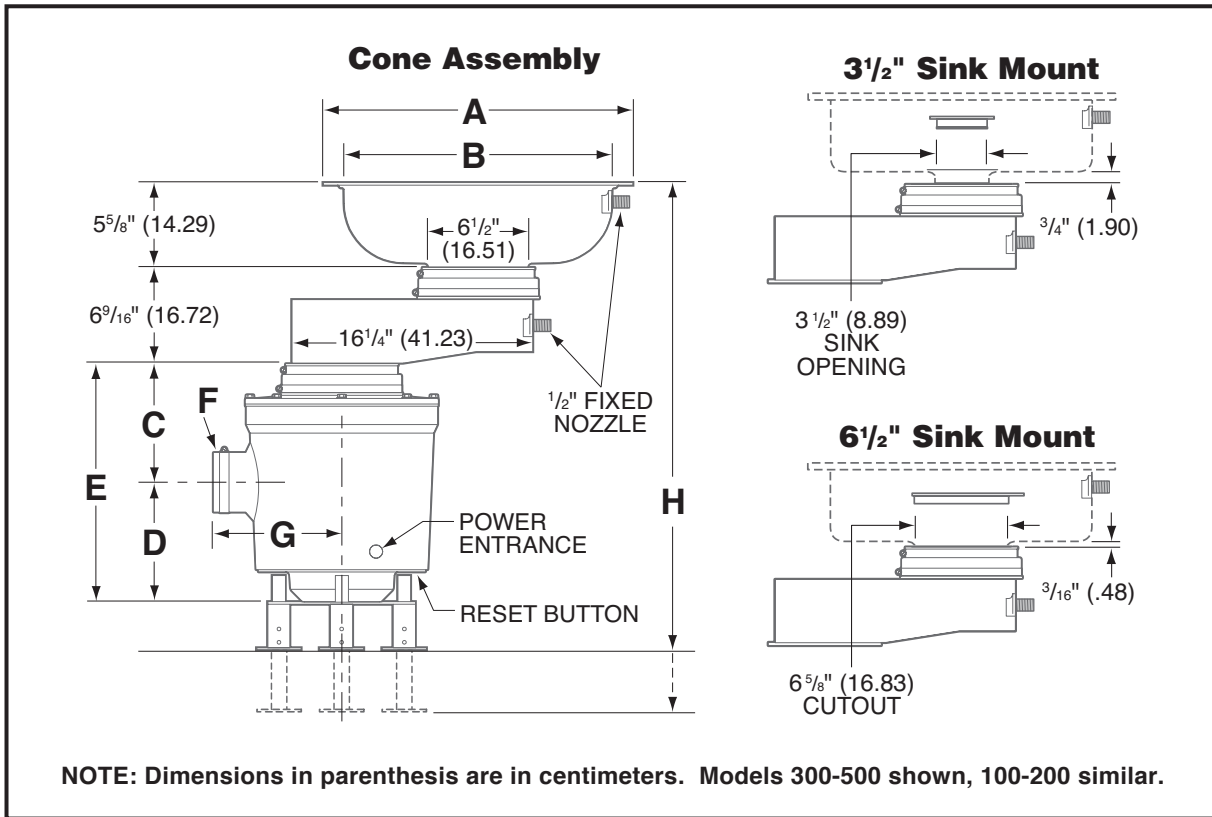


NOTE: INSTALL PER ALL APPLICABLE CODES

# Salvajor Offset Chute

D E T A I L S   A N D   D I M E N S I O N S

FOR MODELS: 100 - 200 - 300 - 500



Cone Dimensions			
	12" Cone	15" Cone	18" Cone
<b>A</b>	14-7/8" (37.78)	17-7/8" (45.40)	20-7/8" (53.02)
<b>B</b>	12" (30.48)	15" (38.10)	18" (45.72)

Dimensions		
	Models 100-200	Models 300-500
<b>C</b>	8-1/2" (21.64)	7-15/16" (20.10)
<b>D</b>	7-5/16" (18.55)	8" (20.31)
<b>E</b>	15-13/16" (40.19)	15-15/16" (40.41)
<b>F</b>	2" Drain	2" or 3" Drain
<b>G</b>	8-1/2" (21.59)	8-5/8" (21.96)
<b>H</b>	31-1/4" to 35-5/8" (79.42 to 90.54)	31-3/8" to 35-3/4" (79.65 to 90.77)



**The Salvajor Company** 4530 East 75th Terrace Kansas City, Missouri 64132-2081, USA  
 1-800-SALVAJOR (816) 363-1030 FAX: 1-800-832-9373  
 www.salvajor.com Email: sales@salvajor.com service@salvajor.com  
 Manufacturers of Commercial Food Waste Disposing Systems since 1944