

Salvajor Model ARSS-2

Pre-Wired Automatic Reversing Control Panel
for Disposer Models: 100 - 200 - 300 - 500

Automatic
Reversing
Start
Stop

SPECIFICATIONS

- NEMA 4 Stainless Steel Watertight Enclosure
- 24 Volt Safety Circuitry
- Automatic Reversing Magnetic Contactors
- Terminal Strip Connections
- START/STOP Push Buttons

VOLTAGES AVAILABLE

1-PHASE

115 VOLT, 208-230 VOLT

3-PHASE

208-230 VOLT, 460 VOLT

◆ SPECIFY EXACT OPERATING VOLTAGE ◆

ACCESSORIES AVAILABLE

- **#P** - MOUNTED 1/2" SOLENOID VALVE AND FLOW CONTROL
- **#PP** - MOUNTED 1/2" SOLENOID VALVE, FLOW CONTROL AND PRESSURE SWITCH
- **#980105** - MOUNTING BRACKET
- **#980104** - REMOTE MOUNTING BRACKET
- **#RSS** - REMOTE START/STOP

(Specifications subject to change without notice)
Current specification details may be found online
at www.salvajor.com



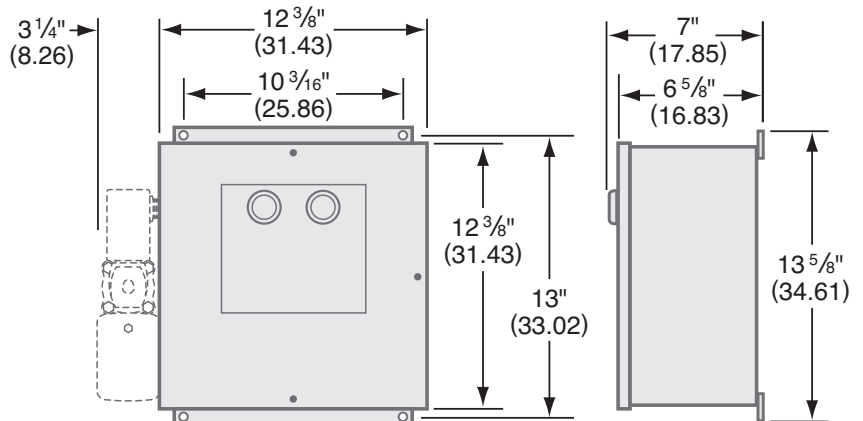
AUTOMATIC  **REVERSING**



MODEL ARSS-2 DISPOSER CONTROL

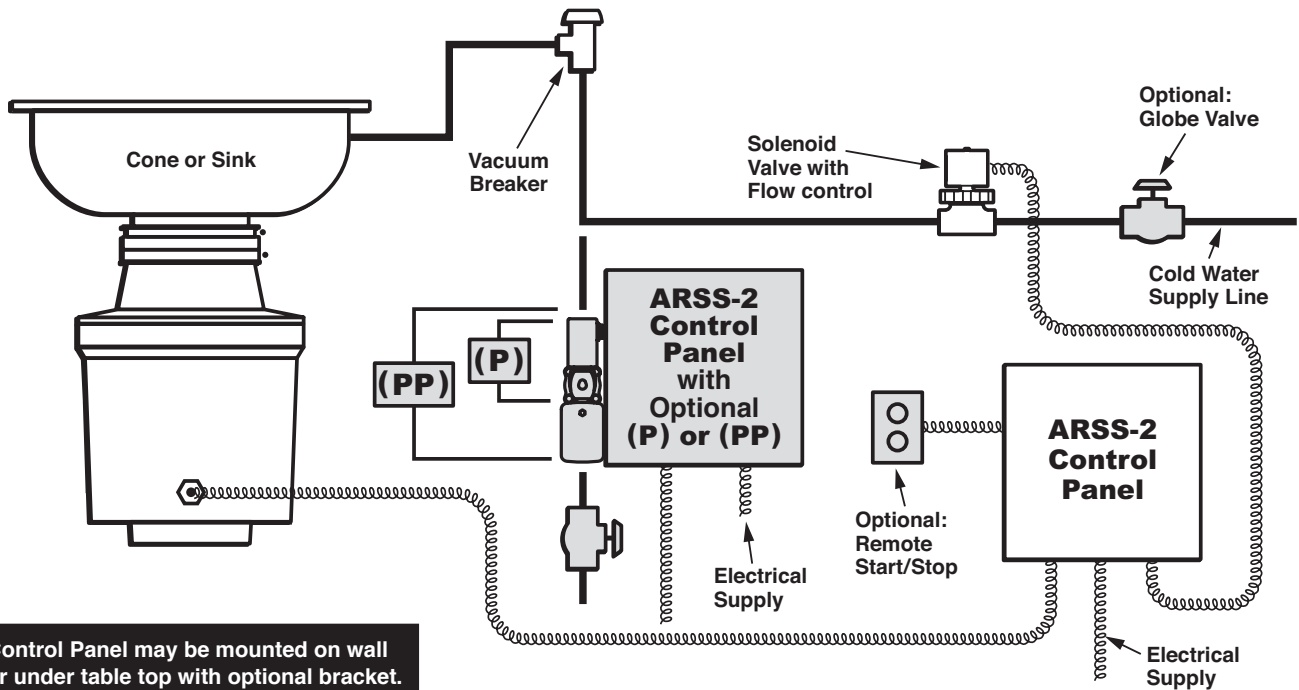
for use with
Salvajor Models:
100 - 200 - 300 - 500

WEIGHT: 25 LBS.



NOTE: Dimensions in parenthesis are in centimeters

Typical Installation Diagram of Salvajor Model ARSS-2 Control Panel and Disposer

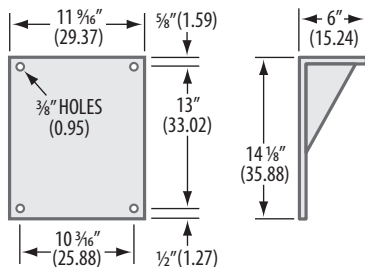


Control Panel may be mounted on wall or under table top with optional bracket.

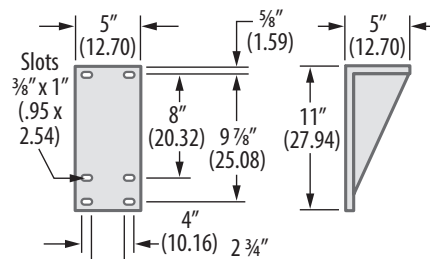
Motor has overload protection.

NOTE: INSTALL PER ALL APPLICABLE CODES

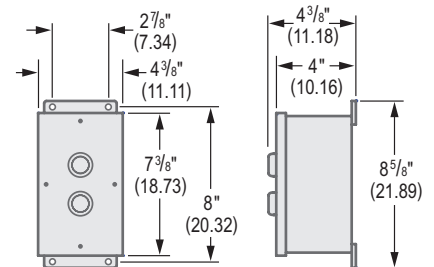
#980105 Optional Mounting Bracket for ARSS-2 Control Panel



#980104 Optional Mounting Bracket for Remote Start/Stop



#RSS Optional Remote Start/Stop



NOTE: Dimensions in parenthesis are in centimeters

Item Numbers for Ordering

CONTROL MODEL	VOLTAGE	PHASE	ITEM NO.
ARSS-2 OR ARSS-2-P OR ARSS-2-PP	115	1	ARSS24
	208 or 230	1	ARSS25
	208 or 230	3	ARSS27
	460	3	ARSS29

◆ SPECIFY EXACT OPERATING VOLTAGE ◆



The Salvajor Company 4530 East 75th Terrace Kansas City, Missouri 64132-2081, USA

1-800-SALVAJOR

(816) 363-1030

FAX: 1-800-832-9373

www.salvajor.com

Email: sales@salvajor.com

service@salvajor.com

Manufacturers of Commercial Food Waste Disposing Systems since 1944

Printed in USA
Form No. ARSS (10-17)