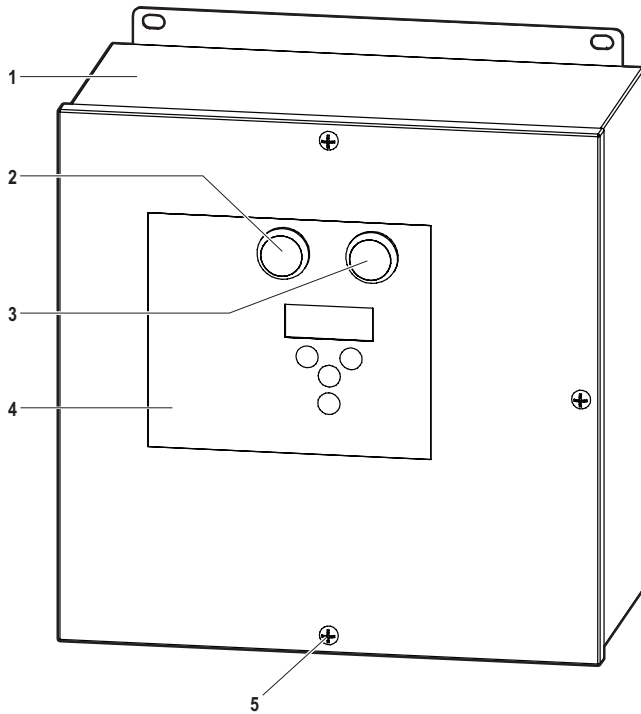


Salvajor Model ARSS*

Automatic Reversing Control Panel

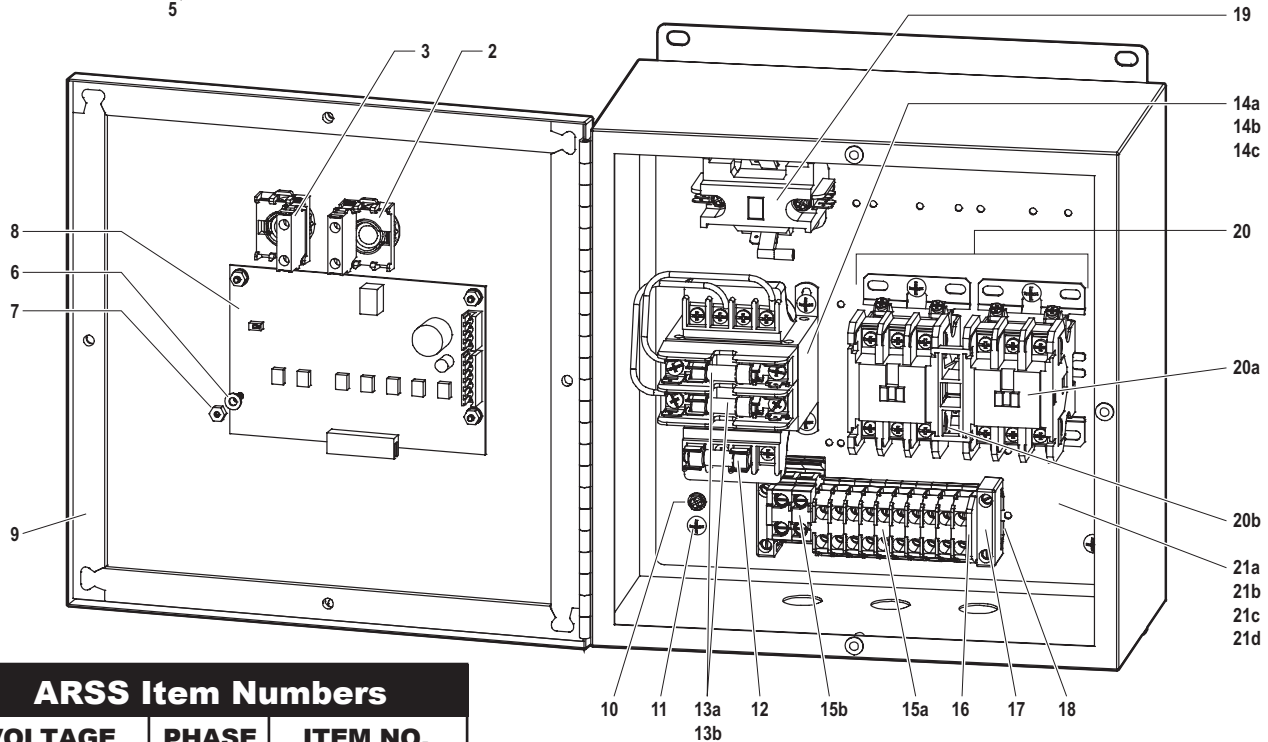
PRE-WIRED CONTROL PANEL PARTS BREAKDOWN

*Includes 24 Volt Safety Circuitry and Energy/Water-Saving Mode



ITEM	PART NO.	DESCRIPTION
1	1212BA2	12" X 12" BOX ASSEMBLY
2	ABD100B	BUTTON START
3	ABD200A	BUTTON STOP
4	999235	CONTROL OVERLAY
5	997032	SCREW 10-32 X 5/8"
6	997161	FLATWASHER #6
7	997160	NUT HEX 6-32
8	994392	SOLID STATE CONTROLLER
9	122GA	LID GASKET ASSEMBLY 12"
10	SCR1032	SCREW 10-32 HEX HEAD GROUND
11	997093	SCREW 10-32 X 3/8"
12	994101	SECONDARY FUSE 2 AMP 600V CL-CC
13a	994122	FUSE .5 AMP 600V (USED ON 460V)
13b	994095	FUSE 1 AMP 600V (USED ON 115, 208-230V)
14a	994115A	TRANSFORMER 50VA 208-230V PRIMARY
14b	994115B	TRANSFORMER 50VA 460V PRIMARY
14c	994116A	TRANSFORMER 50VA 115V PRIMARY
15a	994292	TERMINAL BLOCK
15b	994399	LARGE TERMINAL BLOCK
16	994293	TERMINAL END BARRIER
17	994294	TERMINAL END CLAMP
18	994295	DIN RAIL MOUNTING CHANNEL
19	994405	CONTACTOR 24V SECONDARY 1 POLE (FOR 208-230V 1PH ONLY)
20	994380	CONTACTOR 24V 30A 3-POLE ASSY. (INCLUDES 20a-20b)
20a	994174	CONTACTOR 24V
20b	994302	INTERLOCK MECHANICAL
21a	ARSS4IP	INNER PANEL ASSY 115V 1-PH
21b	ARSS5IP	INNER PANEL ASSY 208-230V 1-PH
21c	ARSS7IP	INNER PANEL ASSY 208-230V 3-PH
21d	ARSS9IP	INNER PANEL ASSY 460V 3-PH

Location of parts may vary



ARSS Item Numbers

VOLTAGE	PHASE	ITEM NO.
115	1	ARSS4
208 or 230	1	ARSS5
208 or 230	3	ARSS7
460	3	ARSS9



The Salvajor Company

4530 East 75th Terrace
Kansas City, MO 64132-2081 USA

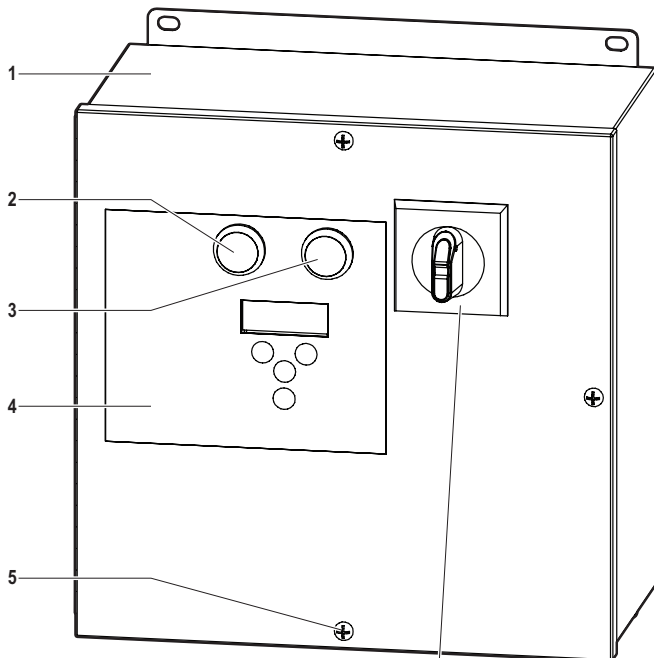
1-888-SALVAJOR FAX 1-800-832-9373

Salvajor Model ARSS-LD*

Automatic Reversing Control Panel with Line Disconnect

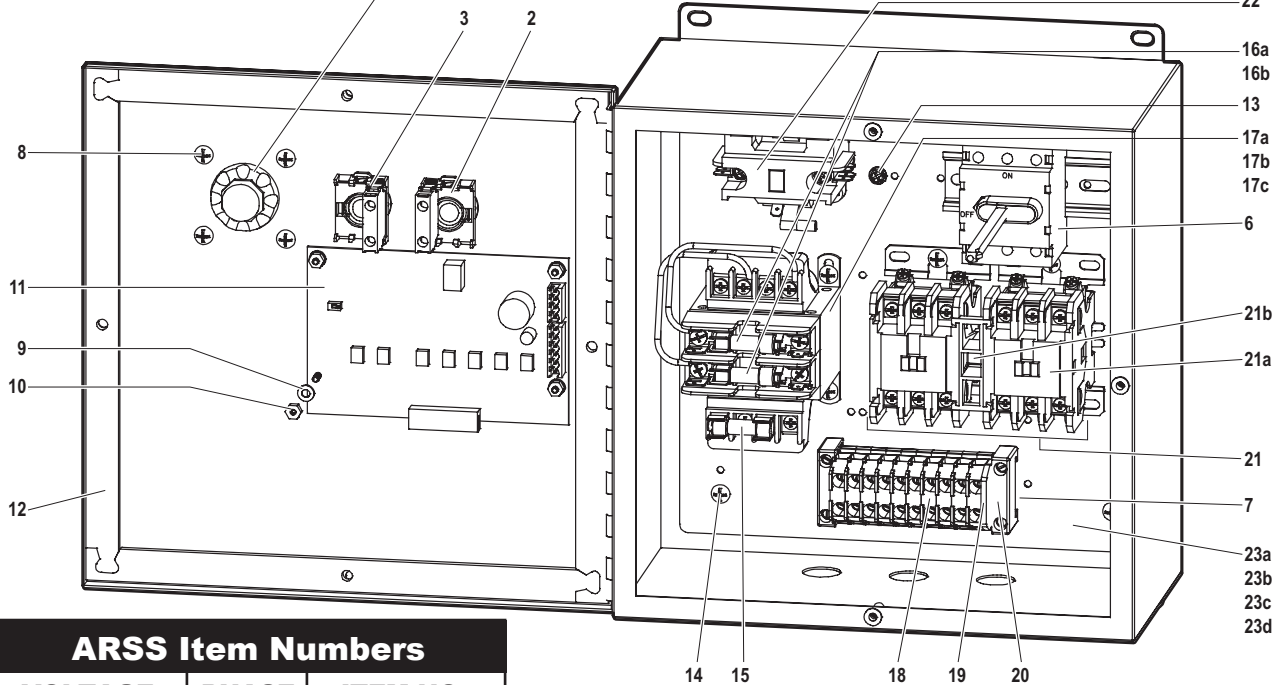
PRE-WIRED CONTROL PANEL PARTS BREAKDOWN

*Includes 24 Volt Safety Circuitry and Energy/Water-Saving Mode



ITEM	PART NO.	DESCRIPTION
1	1212BA3	12" X 12" BOX ASSEMBLY
2	ABD100B	BUTTON START
3	ABD200A	BUTTON STOP
4	999235	CONTROL OVERLAY
5	997032	SCREW 10-32 X 5/8"
6	994177	LINE DISCONNECT ASSY. (INCLUDES 6a.)
6a	984016	LINE DISCONNECT HANDLE ONLY
7	994295	DIN RAIL MOUNTING TRACK
8	997137	SCREW 10-32 X 3/8" PAN HEAD
9	997161	FLATWASHER #6
10	997160	NUT HEX 6-32
11	994392	SOLID STATE CONTROLLER
12	122GA	LID GASKET ASSEMBLY 12"
13	SCR1032	SCREW 10-32 HEX HEAD GROUND
14	997093	SCREW 10-32 X 3/8"
15	994101	SECONDARY FUSE 2 AMP 600V CL-CC
16a	994122	FUSE .5 AMP 600V (USED ON 460V)
16b	994095	FUSE 1 AMP 600V (USED ON 115, 208-230V)
17a	994115A	TRANSFORMER 50VA 208-230V PRIMARY
17a	994115B	TRANSFORMER 50VA 460V PRIMARY
17b	994116A	TRANSFORMER 50VA 115V PRIMARY
18	994292	TERMINAL BLOCK
19	994293	TERMINAL END BARRIER
20	994294	TERMINAL END CLAMP
21	994380	CONTACTOR 24V 30A 3-POLE ASSY. (INCLUDES 21a-21b)
21a	994174	CONTACTOR 24V
21b	994302	INTERLOCK MECHANICAL
22	994405	CONTACTOR 24V SECONDARY 1 POLE (FOR 208-230V 1PH ONLY)
23a	ARSSLD4IP	INNER PANEL ASSY 115V 1-PH
23b	ARSSLD5IP	INNER PANEL ASSY 208-230V 1-PH
23c	ARSSLD7IP	INNER PANEL ASSY 208-230V 3-PH
23d	ARSSLD9IP	INNER PANEL ASSY 460V 3-PH

Location of parts may vary



ARSS Item Numbers

VOLTAGE	PHASE	ITEM NO.
115	1	ARSSLD4
208 or 230	1	ARSSLD5
208 or 230	3	ARSSLD7
460	3	ARSSLD9



The Salvajor Company

4530 East 75th Terrace
Kansas City, MO 64132-2081 USA

1-888-SALVAJOR FAX 1-800-832-9373