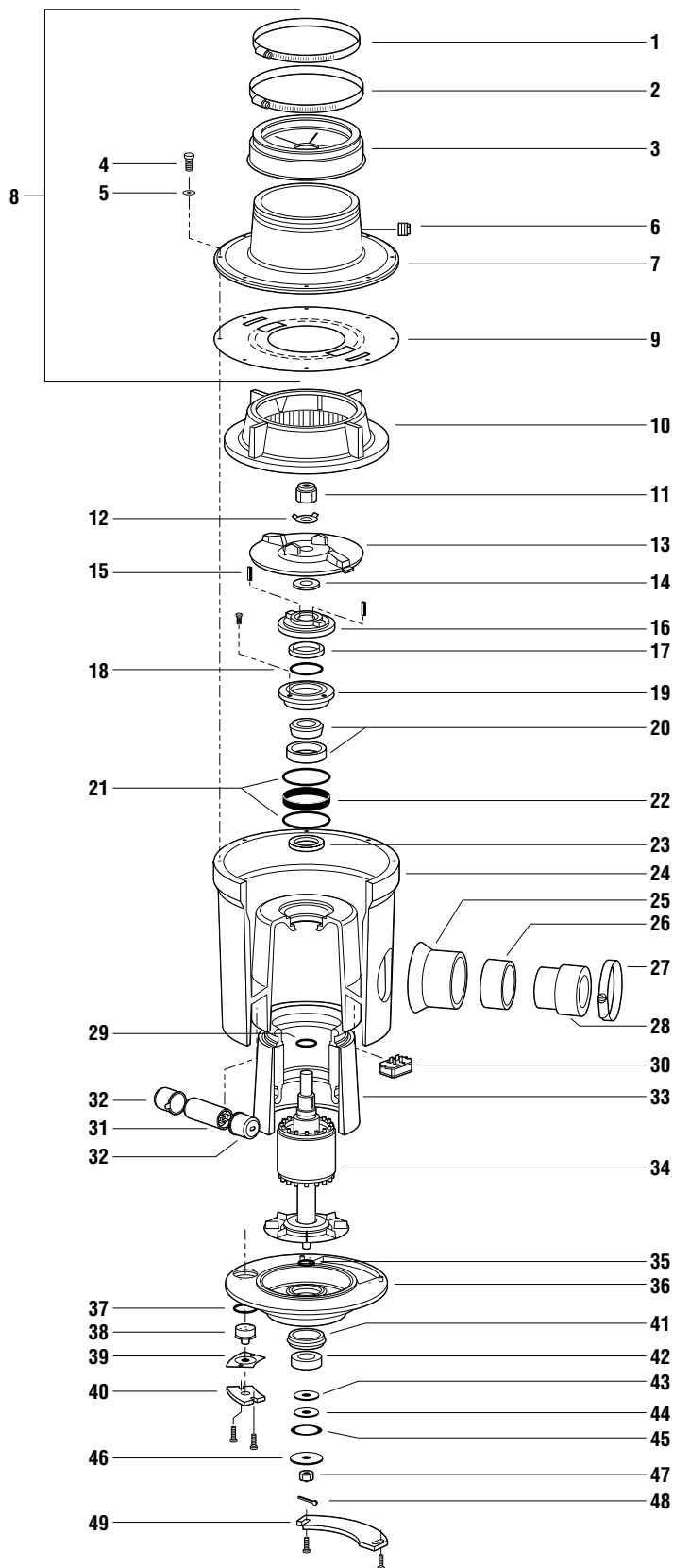


Salvajor Model 75 3/4 HP - 1 Phase

Series H Disposer Parts Breakdown



| NO. | PART NO. | DESCRIPTION |
|-----|-----------|---|
| 1 | M116 | Clamp |
| 2 | M128 | Clamp |
| 3 | 2357A | Hycar Adaptor |
| 4 | 997022 | Screw 5/16 - 18 x 1" HHCAP |
| 5 | 997123 | Washer Flat 11/32 x 5/80D SS |
| 6 | PL5 | Plug 1/2" Plastic |
| 7 | 983010 | Top Housing |
| 8 | 980131 | Top Housing Assembly 1, 2, 3, 7, 9 |
| 9 | 996045 | Center Gasket (S)(C) |
| 10 | 8S | Shredder (C) |
| 11 | 7814RN | Rotor Nut (S)(C) |
| 12 | 997092 | Lock Washer (S)(C) |
| 13 | 983015 | Face Plate (C) |
| 14 | 996025 | Rotor Shaft Gasket (S) |
| 15 | 997070 | Key 3/16 x 3/16 x 1" (S) |
| 16 | 980132 | Rotor Base Assembly (S) |
| 17 | S67350B | Varalip Seal (S) |
| 18 | 995009 | Spacer Seal TEB (S) |
| 19 | 993001 | Top End Bell Insert (S) 17, 18 |
| 20 | 985001 | Bearing Cup/Cone Top (S) |
| 21 | 12151 | O-Ring (S) |
| 22 | ANL79X15S | Tolerance Ring (S) |
| 23 | S67350 | Varalip Seal (S) |
| 24 | MH3 | Motor Housing 3" |
| 25 | 996037 | Drain Outlet 3" |
| 26 | 988015 | Drain Insert 3" |
| 27 | 997131 | Clamp Disposer 3" |
| 28 | 996038 | Drain Adaptor 2-3" |
| 29 | 11026 | O-Ring (S) |
| 30 | 994071 | Start Switch 1PH |
| 31 | 994183 | Capacitor Disposer |
| 32 | 994184 | Boot Capacitor |
| 33 | 75MHI | Stator w/Motor Housing Insert |
| 34 | 991084 | Motor Rotor 75-1 |
| 35 | 996020 | O-Ring (S) |
| 36 | BEBA123G | Bottom End Bell Assembly 37, 39, 40, 49 |
| 37 | 123 | Klixon O-Ring |
| 38 | KL1001 | Klixon |
| 39 | KLCG | Klixon Cover Gasket |
| 40 | KLC | Klixon Cover |
| 41 | 996023 | BEB Rubber Isolator (S) |
| 42 | 6205 | Bottom Bearing (S) |
| 43 | 987002 | Drive Washer (S) |
| 44 | 996024 | Friction Washer (S) |
| 45 | 987003 | Wave Washer (S) |
| 46 | 987001 | Retaining Washer (S) |
| 47 | 997050 | Castle Nut (S) |
| 48 | 997051 | Cotter Pin (S) |
| 49 | JBCA | Junction Box Cover |

SEAL AND CUTTING KITS

| | |
|--|------------------------|
| KSH123 | Seal Kit (All Models) |
| KCH1 | Cutting Kit (Model 75) |
| (S) Designates Parts included in Seal Kit | |
| (C) Designates Parts included in Cutting Kit | |

SPECIFY VOLTAGE AND PHASE WHEN ORDERING



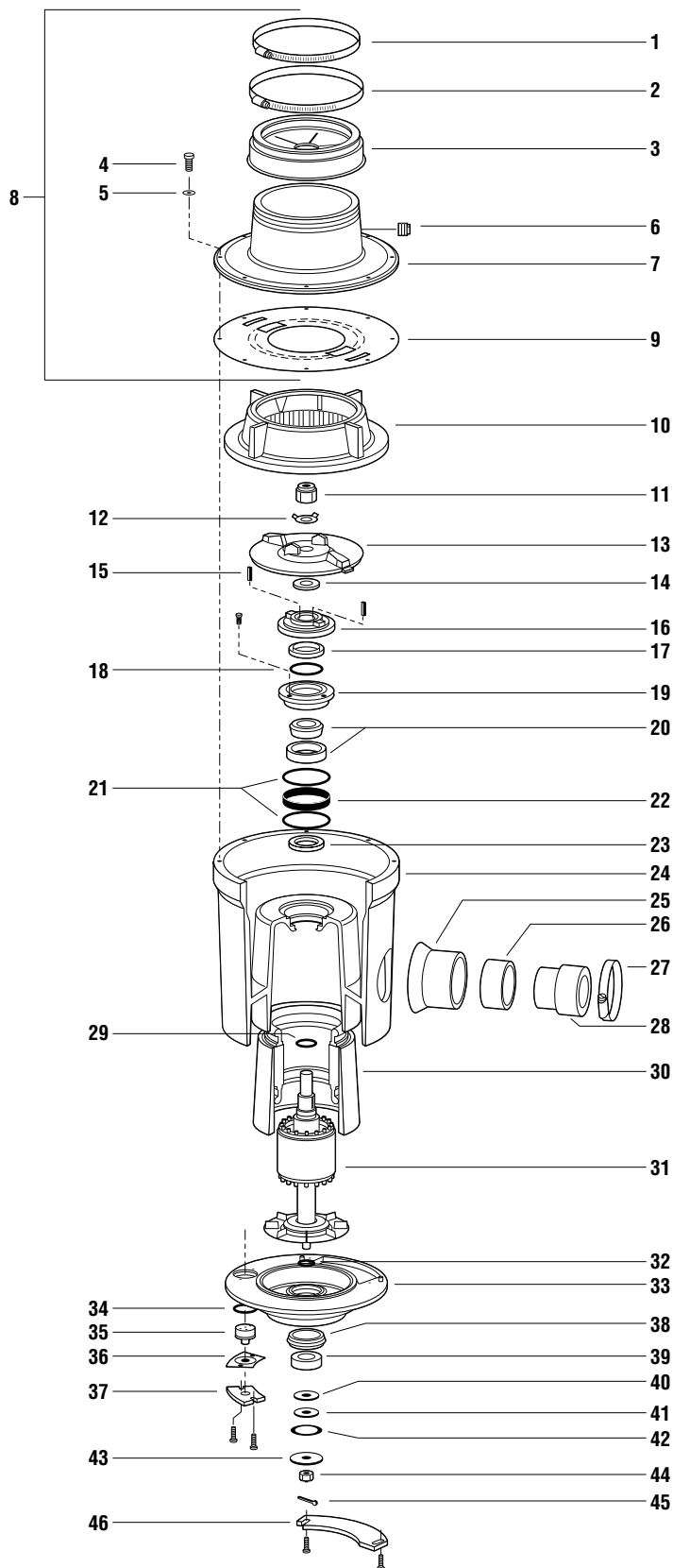
The Salvajor Company

4530 East 75th Terrace
Kansas City, MO 64132-2081 USA

CALL FREE: 1-888-SALVAJOR FAX FREE: 1-800-832-9373

Salvajor Model 75 3/4 HP - 3 Phase

Series H Disposer Parts Breakdown



| NO. | PART NO. | DESCRIPTION |
|-----|-----------|---|
| 1 | M116 | Clamp |
| 2 | M128 | Clamp |
| 3 | 2357A | Hycar Adaptor |
| 4 | 997022 | Screw 5/16 - 18 x 1" HHCAP |
| 5 | 997123 | Washer Flat 11/32 x 5/80D SS |
| 6 | PL5 | Plug 1/2" Plastic |
| 7 | 983010 | Top Housing |
| 8 | 980131 | Top Housing Assembly 1, 2, 3, 7, 9 |
| 9 | 996045 | Center Gasket (S)(C) |
| 10 | 8S | Shredder (C) |
| 11 | 7814RN | Rotor Nut (S)(C) |
| 12 | 997092 | Lock Washer (S)(C) |
| 13 | 983015 | Face Plate (C) |
| 14 | 996025 | Rotor Shaft Gasket (S) |
| 15 | 997070 | Key 3/16 x 3/16 x 1" (S) |
| 16 | 980132 | Rotor Base Assembly (S) |
| 17 | S67350B | Varalip Seal (S) |
| 18 | 995009 | Spacer Seal TEB (S) |
| 19 | 993001 | Top End Bell Insert (S) 17, 18 |
| 20 | 985001 | Bearing Cup/Cone Top (S) |
| 21 | 12151 | O-Ring (S) |
| 22 | ANL79X15S | Tolerance Ring (S) |
| 23 | S67350 | Varalip Seal (S) |
| 24 | MH3 | Motor Housing 3" |
| 25 | 996037 | Drain Outlet 3" |
| 26 | 988015 | Drain Insert 3" |
| 27 | 997131 | Clamp Disposer 3" |
| 28 | 996038 | Drain Adaptor 2-3" |
| 29 | 11026 | O-Ring (S) |
| 30 | 75MHI | Stator w/Motor Housing Insert |
| 31 | 991085 | Motor Rotor 75-3 |
| 32 | 996020 | O-Ring (S) |
| 33 | BEBA123G | Bottom End Bell Assembly 34, 36, 37, 46 |
| 34 | 123 | Klixon O-Ring |
| 35 | KL1003 | Klixon |
| 36 | KLCG | Klixon Cover Gasket |
| 37 | KLC | Klixon Cover |
| 38 | 996023 | BEB Rubber Isolator (S) |
| 39 | 6205 | Bottom Bearing (S) |
| 40 | 987002 | Drive Washer (S) |
| 41 | 996024 | Friction Washer (S) |
| 42 | 987003 | Wave Washer (S) |
| 43 | 987001 | Retaining Washer (S) |
| 44 | 997050 | Castle Nut (S) |
| 45 | 997051 | Cotter Pin (S) |
| 46 | JBCA | Junction Box Cover |

SEAL AND CUTTING KITS

| | |
|--|------------------------|
| KSH123 | Seal Kit (All Models) |
| KCH1 | Cutting Kit (Model 75) |
| (S) Designates Parts included in Seal Kit | |
| (C) Designates Parts included in Cutting Kit | |

SPECIFY VOLTAGE AND PHASE WHEN ORDERING



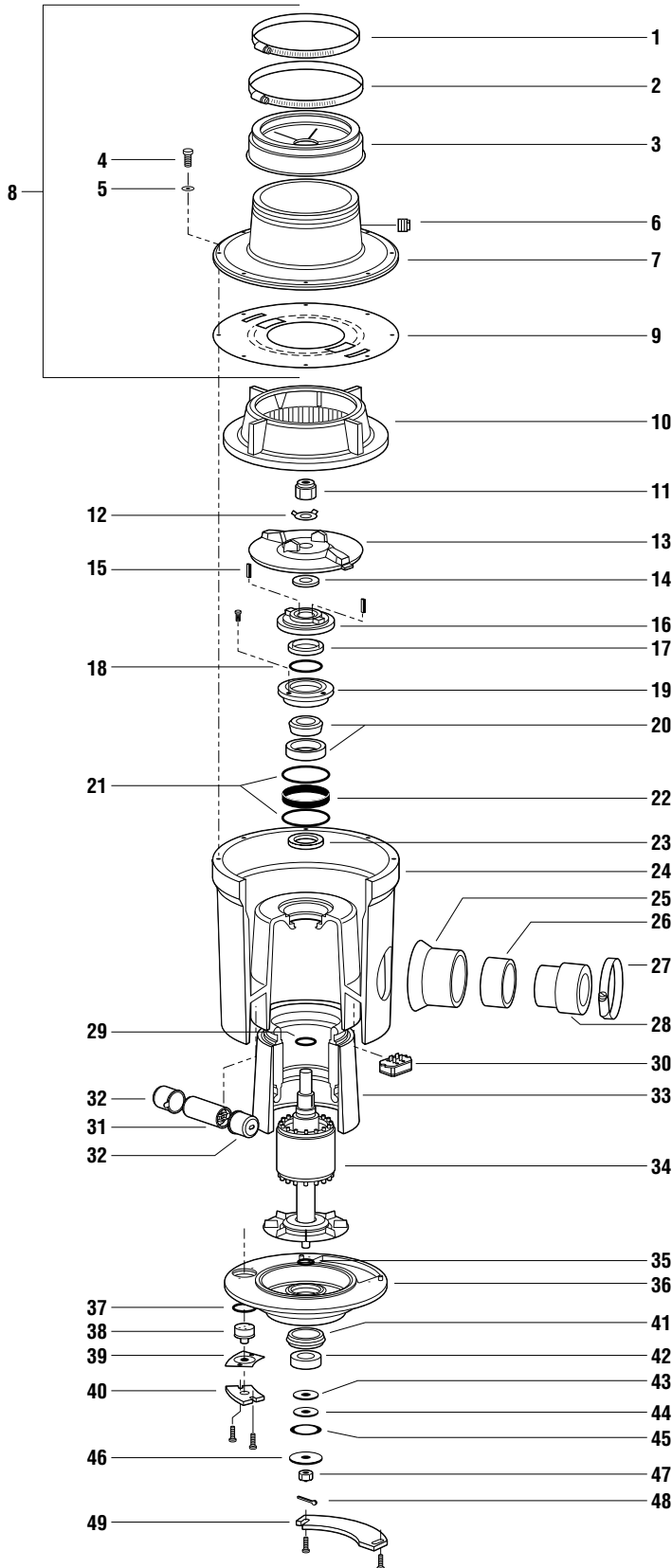
The Salvajor Company

4530 East 75th Terrace
Kansas City, MO 64132-2081 USA

CALL FREE: 1-888-SALVAJOR FAX FREE: 1-800-832-9373

Salvajor Model 100 1 HP - 1 Phase

Series H Disposer Parts Breakdown



| NO. | PART NO. | DESCRIPTION |
|-----|-----------|---|
| 1 | M116 | Clamp |
| 2 | M128 | Clamp |
| 3 | 2357A | Hycar Adaptor |
| 4 | 997022 | Screw 5/16 - 18 x 1" HHCAP |
| 5 | 997123 | Washer Flat 11/32 x 5/80D SS |
| 6 | PL5 | Plug 1/2" Plastic |
| 7 | 983010 | Top Housing |
| 8 | 980131 | Top Housing Assembly 1, 2, 3, 7, 9 |
| 9 | 996045 | Center Gasket (S)(C) |
| 10 | 8S | Shredder (C) |
| 11 | 7814RN | Rotor Nut (S)(C) |
| 12 | 997092 | Lock Washer (S)(C) |
| 13 | 983015 | Face Plate (C) |
| 14 | 996025 | Rotor Shaft Gasket (S) |
| 15 | 997070 | Key 3/16 x 3/16 x 1" (S) |
| 16 | 980132 | Rotor Base Assembly (S) |
| 17 | S67350B | Varalip Seal (S) |
| 18 | 995009 | Spacer Seal TEB (S) |
| 19 | 993001 | Top End Bell Insert (S) 17, 18 |
| 20 | 985001 | Bearing Cup/Cone Top (S) |
| 21 | 12151 | O-Ring (S) |
| 22 | ANL79X15S | Tolerance Ring (S) |
| 23 | S67350 | Varalip Seal (S) |
| 24 | MH3 | Motor Housing 3" |
| 25 | 996037 | Drain Outlet 3" |
| 26 | 988015 | Drain Insert 3" |
| 27 | 997131 | Clamp Disposer 3" |
| 28 | 996038 | Drain Adaptor 2-3" |
| 29 | 11026 | O-Ring (S) |
| 30 | 994071 | Start Switch 1PH |
| 31 | 994183 | Capacitor Disposer |
| 32 | 994184 | Boot Capacitor |
| 33 | 1MHI | Stator w/Motor Housing Insert |
| 34 | 991010 | Motor Rotor 100-1 |
| 35 | 996020 | O-Ring (S) |
| 36 | BEBA123G | Bottom End Bell Assembly 37, 39, 40, 49 |
| 37 | 123 | Klixon O-Ring |
| 38 | KL1001 | Klixon |
| 39 | KLCG | Klixon Cover Gasket |
| 40 | KLC | Klixon Cover |
| 41 | 996023 | BEB Rubber Isolator (S) |
| 42 | 6205 | Bottom Bearing (S) |
| 43 | 987002 | Drive Washer (S) |
| 44 | 996024 | Friction Washer (S) |
| 45 | 987003 | Wave Washer (S) |
| 46 | 987001 | Retaining Washer (S) |
| 47 | 997050 | Castle Nut (S) |
| 48 | 997051 | Cotter Pin (S) |
| 49 | JBCA | Junction Box Cover |

SEAL AND CUTTING KITS

| | |
|--------|-------------------------|
| KSH123 | Seal Kit (All Models) |
| KCH1 | Cutting Kit (Model 100) |

(S) Designates Parts included in Seal Kit

(C) Designates Parts included in Cutting Kit

SPECIFY VOLTAGE AND PHASE WHEN ORDERING



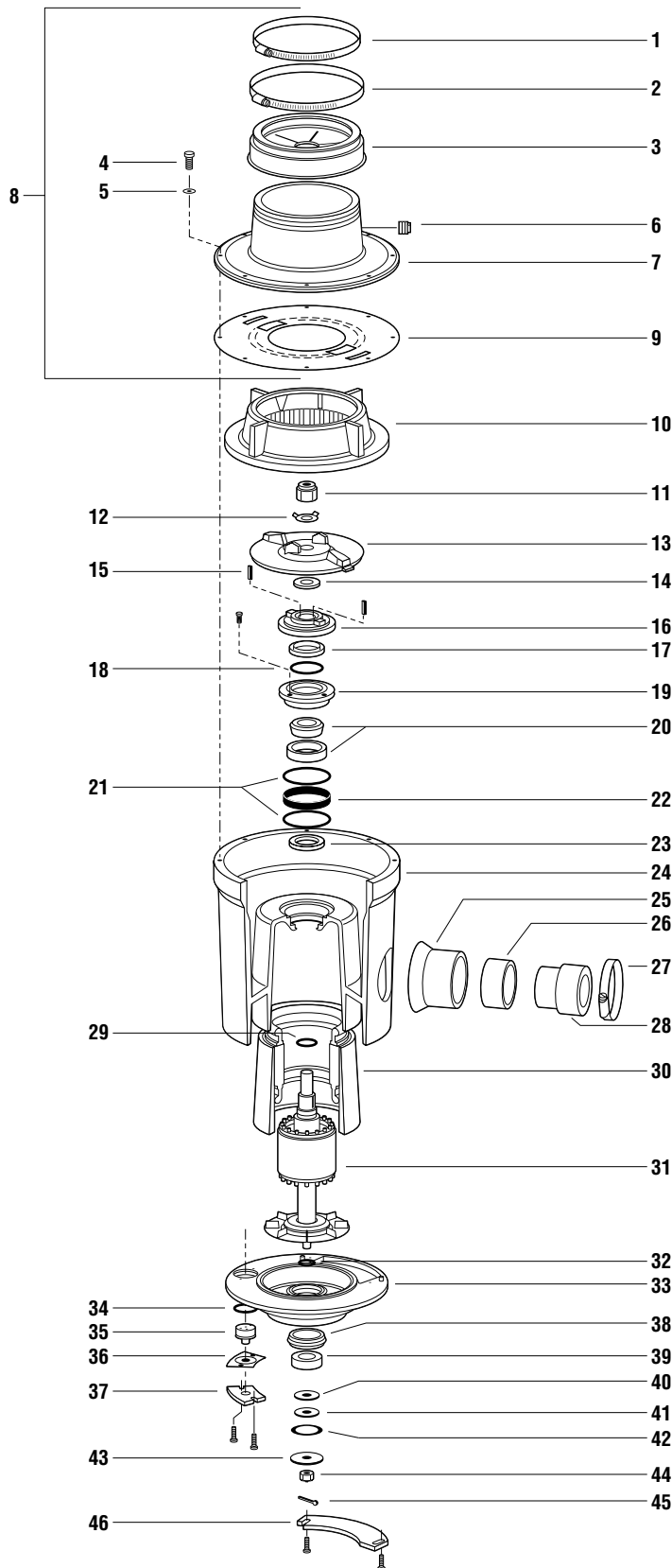
The Salvajor Company

4530 East 75th Terrace
Kansas City, MO 64132-2081 USA

CALL FREE: 1-888-SALVAJOR FAX FREE: 1-800-832-9373

Salvajor Model 100 1 HP - 3 Phase

Series H Disposer Parts Breakdown



| NO. | PART NO. | DESCRIPTION |
|-----|-----------|---|
| 1 | M116 | Clamp |
| 2 | M128 | Clamp |
| 3 | 2357A | Hycar Adaptor |
| 4 | 997022 | Screw 5/16 - 18 x 1" HHCAP |
| 5 | 997123 | Washer Flat 11/32 x 5/80D SS |
| 6 | PL5 | Plug 1/2" Plastic |
| 7 | 983010 | Top Housing |
| 8 | 980131 | Top Housing Assembly 1, 2, 3, 7, 9 |
| 9 | 996045 | Center Gasket (S)(C) |
| 10 | 8S | Shredder (C) |
| 11 | 7814RN | Rotor Nut (S)(C) |
| 12 | 997092 | Lock Washer (S)(C) |
| 13 | 983015 | Face Plate (C) |
| 14 | 996025 | Rotor Shaft Gasket (S) |
| 15 | 997070 | Key 3/16 x 3/16 x 1" (S) |
| 16 | 980132 | Rotor Base Assembly (S) |
| 17 | S67350B | Varalip Seal (S) |
| 18 | 995009 | Spacer Seal TEB (S) |
| 19 | 993001 | Top End Bell Insert (S) 17, 18 |
| 20 | 985001 | Bearing Cup/Cone Top (S) |
| 21 | 12151 | O-Ring (S) |
| 22 | ANL79X15S | Tolerance Ring (S) |
| 23 | S67350 | Varalip Seal (S) |
| 24 | MH3 | Motor Housing 3" |
| 25 | 996037 | Drain Outlet 3" |
| 26 | 988015 | Drain Insert 3" |
| 27 | 997131 | Clamp Disposer 3" |
| 28 | 996038 | Drain Adaptor 2-3" |
| 29 | 11026 | O-Ring (S) |
| 30 | 1MHI | Stator w/Motor Housing Insert |
| 31 | 994014 | Motor Rotor 100-3 |
| 32 | 996020 | O-Ring (S) |
| 33 | BEBA123G | Bottom End Bell Assembly 34, 36, 37, 46 |
| 34 | 123 | Klixon O-Ring |
| 35 | KL1003 | Klixon |
| 36 | KLCG | Klixon Cover Gasket |
| 37 | KLC | Klixon Cover |
| 38 | 996023 | BEB Rubber Isolator (S) |
| 39 | 6205 | Bottom Bearing (S) |
| 40 | 987002 | Drive Washer (S) |
| 41 | 996024 | Friction Washer (S) |
| 42 | 987003 | Wave Washer (S) |
| 43 | 987001 | Retaining Washer (S) |
| 44 | 997050 | Castle Nut (S) |
| 45 | 997051 | Cotter Pin (S) |
| 46 | JBCA | Junction Box Cover |

SEAL AND CUTTING KITS

| | |
|--------|-------------------------|
| KSH123 | Seal Kit (All Models) |
| KCH1 | Cutting Kit (Model 100) |

(S) Designates Parts included in Seal Kit

(C) Designates Parts included in Cutting Kit

SPECIFY VOLTAGE AND PHASE WHEN ORDERING



The Salvajor Company

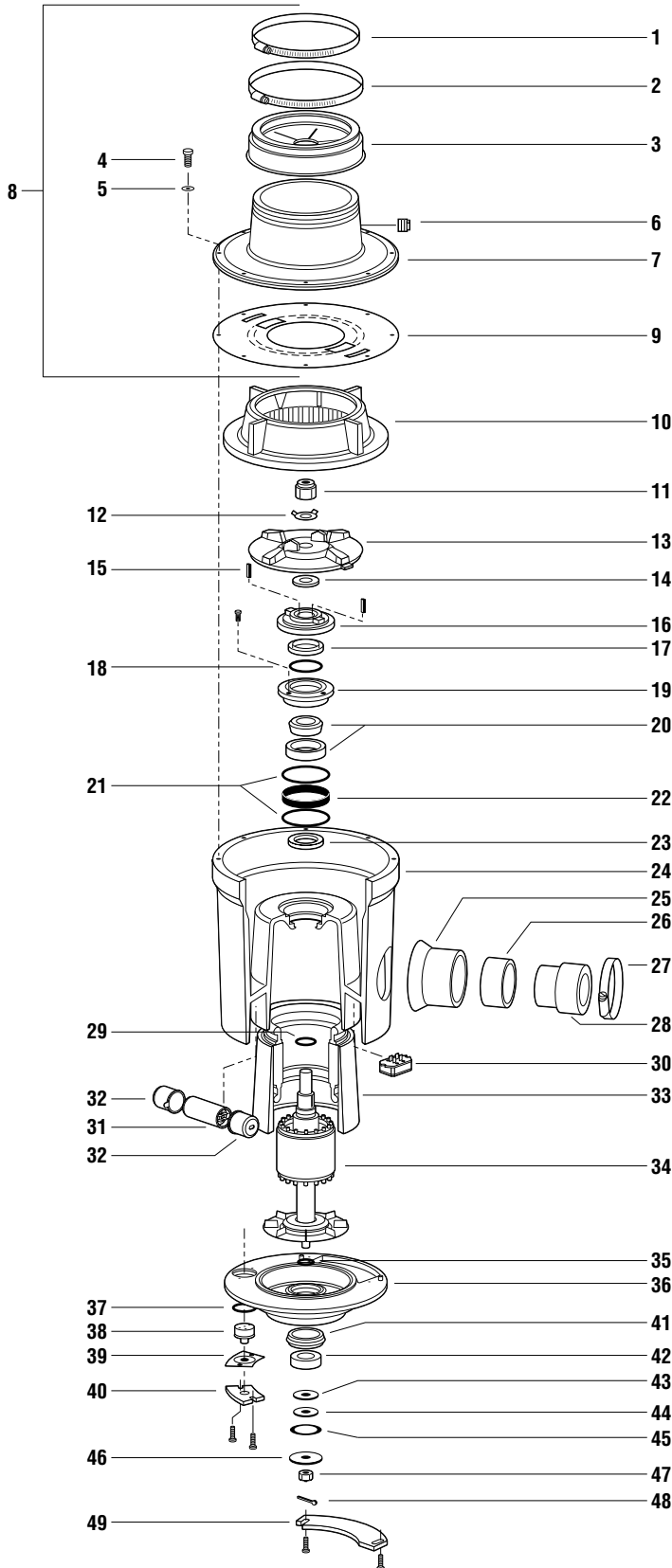
4530 East 75th Terrace

Kansas City, MO 64132-2081 USA

CALL FREE: 1-888-SALVAJOR FAX FREE: 1-800-832-9373

Salvajor Model 150 1½ HP - 1 Phase

Series H Disposer Parts Breakdown



| NO. | PART NO. | DESCRIPTION |
|-----|-----------|---|
| 1 | M116 | Clamp |
| 2 | M128 | Clamp |
| 3 | 2357A | Hycar Adaptor |
| 4 | 997022 | Screw 5/16 - 18 x 1" HHCAP |
| 5 | 997123 | Washer Flat 11/32 x 5/80D SS |
| 6 | PL5 | Plug 1/2" Plastic |
| 7 | 983010 | Top Housing |
| 8 | 980131 | Top Housing Assembly 1, 2, 3, 7, 9 |
| 9 | 996045 | Center Gasket (S)(C) |
| 10 | 8S | Shredder (C) |
| 11 | 7814RN | Rotor Nut (S)(C) |
| 12 | 997092 | Lock Washer (S)(C) |
| 13 | 983004 | Face Plate (C) |
| 14 | 996025 | Rotor Shaft Gasket (S) |
| 15 | 997070 | Key 3/16 x 3/16 x 1" (S) |
| 16 | 980132 | Rotor Base Assembly (S) |
| 17 | S67350B | Varalip Seal (S) |
| 18 | 995009 | Spacer Seal TEB (S) |
| 19 | 993001 | Top End Bell Insert (S) 17, 18 |
| 20 | 985001 | Bearing Cup/Cone Top (S) |
| 21 | 12151 | O-Ring (S) |
| 22 | ANL79X15S | Tolerance Ring (S) |
| 23 | S67350 | Varalip Seal (S) |
| 24 | MH3 | Motor Housing 3" |
| 25 | 996037 | Drain Outlet 3" |
| 26 | 988015 | Drain Insert 3" |
| 27 | 997131 | Clamp Disposer 3" |
| 28 | 996038 | Drain Adaptor 2-3" |
| 29 | 11026 | O-Ring (S) |
| 30 | 994071 | Start Switch 1PH |
| 31 | 994183 | Capacitor Disposer |
| 32 | 994184 | Boot Capacitor |
| 33 | 150MH1 | Stator w/Motor Housing Insert |
| 34 | 991016 | Motor Rotor 150-1 |
| 35 | 996020 | O-Ring (S) |
| 36 | BEBA123G | Bottom End Bell Assembly 37, 39, 40, 49 |
| 37 | 123 | Klixon O-Ring |
| 38 | KL2001 | Klixon |
| 39 | KLCG | Klixon Cover Gasket |
| 40 | KLC | Klixon Cover |
| 41 | 996023 | BEB Rubber Isolator (S) |
| 42 | 6205 | Bottom Bearing (S) |
| 43 | 987002 | Drive Washer (S) |
| 44 | 996024 | Friction Washer (S) |
| 45 | 987003 | Wave Washer (S) |
| 46 | 987001 | Retaining Washer (S) |
| 47 | 997050 | Castle Nut (S) |
| 48 | 997051 | Cotter Pin (S) |
| 49 | JBCA | Junction Box Cover |

SEAL AND CUTTING KITS

| | |
|--------|-------------------------|
| KSH123 | Seal Kit (All Models) |
| KCGRF2 | Cutting Kit (Model 150) |

(S) Designates Parts included in Seal Kit

(C) Designates Parts included in Cutting Kit

SPECIFY VOLTAGE AND PHASE WHEN ORDERING



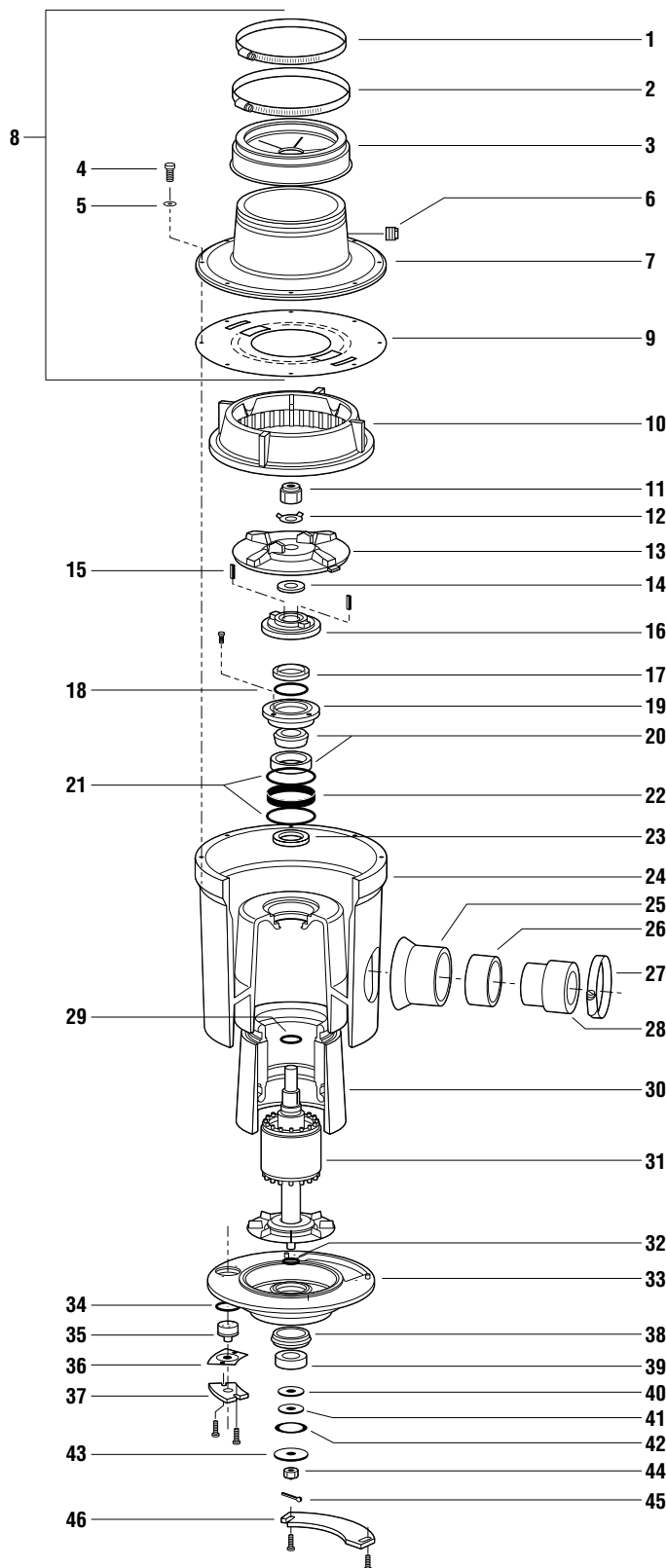
The Salvajor Company

4530 East 75th Terrace
Kansas City, MO 64132-2081 USA

CALL FREE: 1-888-SALVAJOR FAX FREE: 1-800-832-9373

Salvajor Model 150 1½ HP - 3 Phase

Series H Disposer Parts Breakdown



| NO. | PART NO. | DESCRIPTION |
|-----|-----------|---|
| 1 | M116 | Clamp |
| 2 | M128 | Clamp |
| 3 | 2357A | Hycar Adaptor |
| 4 | 997022 | (8) Screw 5/16" - 18" x 1" HHCAP |
| 5 | 997123 | (8) Washer Flat 11/32" x 5/8" OD SS |
| 6 | PL5 | Plug 1/2" Plastic |
| 7 | 983010 | Top Housing |
| 8 | 980131 | Top Housing Assembly 1, 2, 3, 7, 9 |
| 9 | 996045 | Center Gasket (S)(C) |
| 10 | 8S | Shredder (C) |
| 11 | 7814RN | Rotor Nut (S)(C) |
| 12 | 997092 | Lock Washer (S)(C) |
| 13 | 983004 | Face Plate (C) |
| 14 | 996025 | Rotor Shaft Gasket (S) |
| 15 | 997070 | (2) Key 3/16" x 3/16" x 1" (S) |
| 16 | 980132 | Rotor Base Assembly (S) |
| 17 | S67350B | Varalip Seal (S) |
| 18 | 995009 | Spacer Seal TEB (S) |
| 19 | 993001 | Top End Bell Insert (S) 17, 18 |
| 20 | 985001 | Bearing Cup/Cone Top (S) |
| 21 | 12151 | O-Ring (S) |
| 22 | ANL79X15S | Tolerance Ring (S) |
| 23 | S67350 | Varalip Seal (S) |
| 24 | MH3 | Motor Housing 3" |
| 25 | 996037 | Drain Outlet 3" |
| 26 | 988015 | Drain Insert 3" |
| 27 | 997131 | Clamp Disposer 3" |
| 28 | 996038 | Drain Adaptor 2-3" |
| 29 | 11026 | O-Ring (S) |
| 30 | 150MHI | Stator w/Motor Housing Insert |
| 31 | 991018 | Motor Rotor 150-3 |
| 32 | 996020 | O-Ring (S) |
| 33 | BEBA123G | Bottom End Bell Assembly 34, 36, 37, 46 |
| 34 | 123 | Klixon O-Ring |
| 35 | KL2003 | Klixon |
| 36 | KLCG | Klixon Cover Gasket |
| 37 | KLC | Klixon Cover |
| 38 | 996023 | BEB Rubber Isolator (S) |
| 39 | 6205 | Bottom Bearing (S) |
| 40 | 987002 | Drive Washer (S) |
| 41 | 996024 | Friction Washer (S) |
| 42 | 987003 | Wave Washer (S) |
| 43 | 987001 | Retaining Washer (S) |
| 44 | 997050 | Castle Nut (S) |
| 45 | 997051 | Cotter Pin (S) |
| 46 | JBCA | Junction Box Cover |

SEAL AND CUTTING KITS

| | |
|--|-------------------------|
| KSH123 | Seal Kit (All Models) |
| KCGRF2 | Cutting Kit (Model 150) |
| (S) Designates Parts included in Seal Kit | |
| (C) Designates Parts included in Cutting Kit | |

SPECIFY VOLTAGE AND PHASE WHEN ORDERING



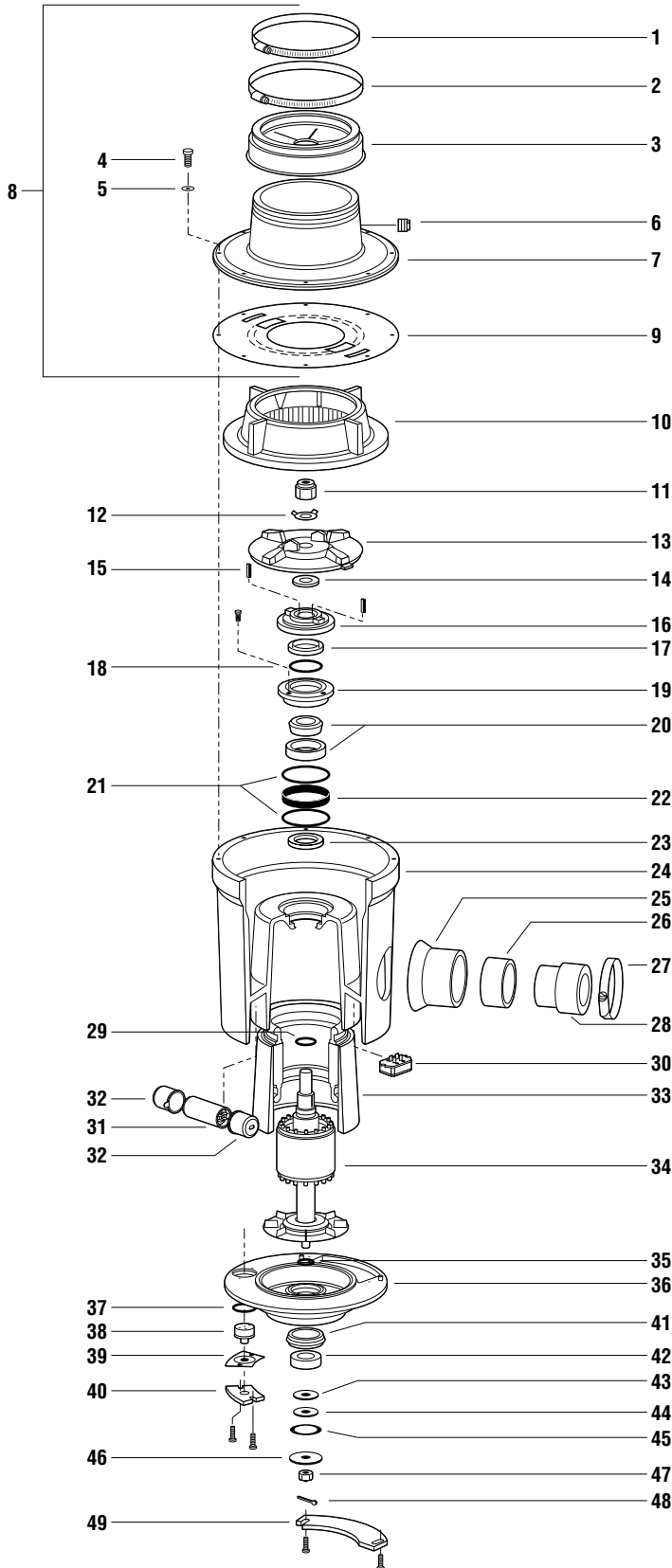
The Salvajor Company

4530 East 75th Terrace
Kansas City, MO 64132-2081 USA

CALL FREE: 1-888-SALVAJOR FAX FREE: 1-800-832-9373

Salvajor Model 200 2HP - 1 Phase

Series H Disposer Parts Breakdown



| NO. | PART NO. | DESCRIPTION |
|-----|-----------|---|
| 1 | M116 | Clamp |
| 2 | M128 | Clamp |
| 3 | 2357A | Hycar Adaptor |
| 4 | 997022 | Screw 5/16 - 18 x 1" HHCAP |
| 5 | 997123 | Washer Flat 11/32 x 5/80D SS |
| 6 | PL5 | Plug 1/2" Plastic |
| 7 | 983010 | Top Housing |
| 8 | 980131 | Top Housing Assembly 1, 2, 3, 7, 9 |
| 9 | 996045 | Center Gasket (S)(C) |
| 10 | 8S | Shredder (C) |
| 11 | 7814RN | Rotor Nut (S)(C) |
| 12 | 997092 | Lock Washer (S)(C) |
| 13 | 983004 | Face Plate (C) |
| 14 | 996025 | Rotor Shaft Gasket (S) |
| 15 | 997070 | Key 3/16 x 3/16 x 1" (S) |
| 16 | 980132 | Rotor Base Assembly (S) |
| 17 | S67350B | Varalip Seal (S) |
| 18 | 995009 | Spacer Seal TEB (S) |
| 19 | 993001 | Top End Bell Insert (S) 17, 18 |
| 20 | 985001 | Bearing Cup/Cone Top (S) |
| 21 | 12151 | O-Ring (S) |
| 22 | ANL79X15S | Tolerance Ring (S) |
| 23 | S67350 | Varalip Seal (S) |
| 24 | MH3 | Motor Housing 3" |
| 25 | 996037 | Drain Outlet 3" |
| 26 | 988015 | Drain Insert 3" |
| 27 | 997131 | Clamp Disposer 3" |
| 28 | 996038 | Drain Adaptor 2-3" |
| 29 | 11026 | O-Ring (S) |
| 30 | 994071 | Start Switch 1PH |
| 31 | 994183 | Capacitor Disposer |
| 32 | 994184 | Boot Capacitor |
| 33 | 2MHI | Stator w/Motor Housing Insert |
| 34 | 991017 | Motor Rotor 200-1 |
| 35 | 996020 | O-Ring (S) |
| 36 | BEBA123G | Bottom End Bell Assembly 37, 39, 40, 49 |
| 37 | 123 | Klixon O-Ring |
| 38 | KL2001 | Klixon |
| 39 | KLCG | Klixon Cover Gasket |
| 40 | KLC | Klixon Cover |
| 41 | 996023 | BEB Rubber Isolator (S) |
| 42 | 6205 | Bottom Bearing (S) |
| 43 | 987002 | Drive Washer (S) |
| 44 | 996024 | Friction Washer (S) |
| 45 | 987003 | Wave Washer (S) |
| 46 | 987001 | Retaining Washer (S) |
| 47 | 997050 | Castle Nut (S) |
| 48 | 997051 | Cotter Pin (S) |
| 49 | JBCA | Junction Box Cover |

SEAL AND CUTTING KITS

| | |
|--------|-------------------------|
| KSH123 | Seal Kit (All Models) |
| KCGRF2 | Cutting Kit (Model 200) |

(S) Designates Parts included in Seal Kit

(C) Designates Parts included in Cutting Kit

SPECIFY VOLTAGE AND PHASE WHEN ORDERING



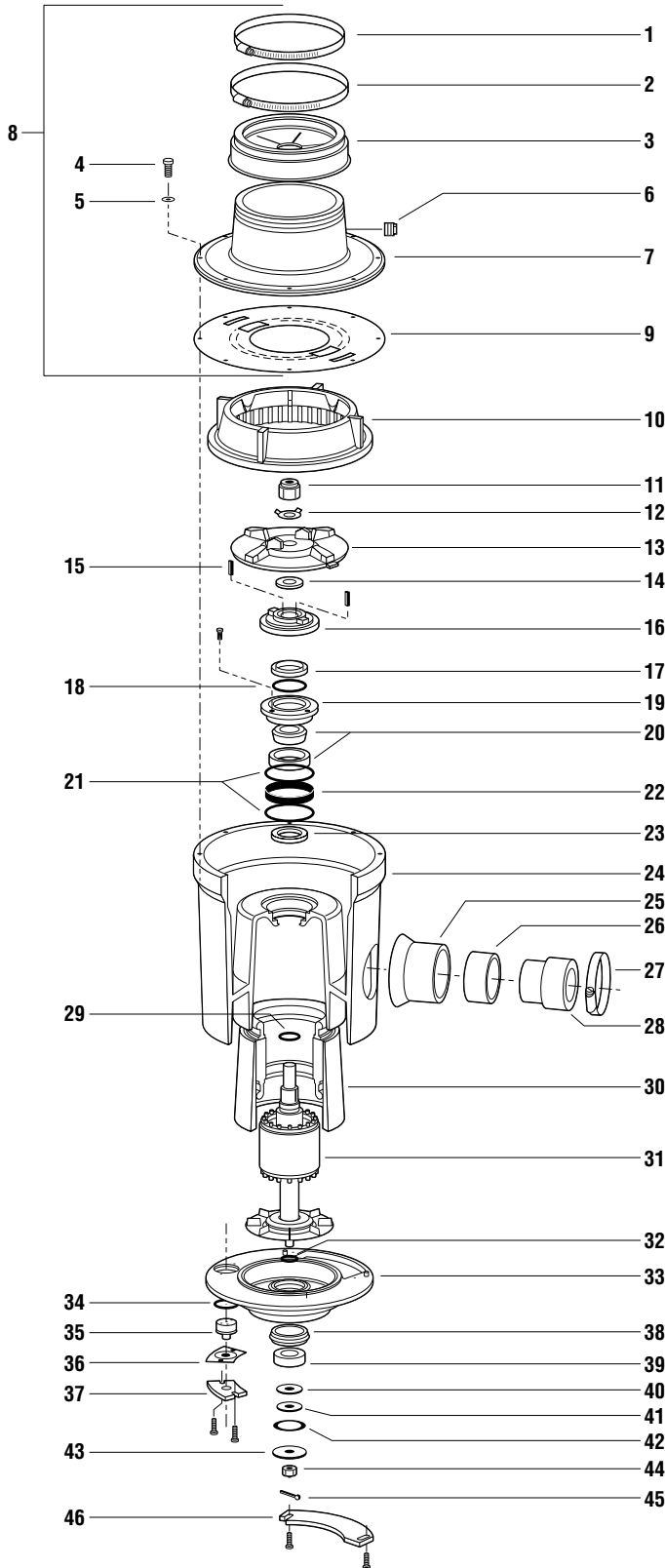
The Salvajor Company

4530 East 75th Terrace
Kansas City, MO 64132-2081 USA

CALL FREE: 1-888-SALVAJOR FAX FREE: 1-800-832-9373

Salvajor Model 200 2 HP - 3 Phase

Series H Disposer Parts Breakdown



| NO. | PART NO. | DESCRIPTION |
|-----|-----------|---|
| 1 | M116 | Clamp |
| 2 | M128 | Clamp |
| 3 | 2357A | Hycar Adaptor |
| 4 | 997022 | (8) Screw 5/16" - 18" x 1" HHCAP |
| 5 | 997123 | (8) Washer Flat 11/32" x 5/8" OD SS |
| 6 | PL5 | Plug 1/2" Plastic |
| 7 | 983010 | Top Housing |
| 8 | 980131 | Top Housing Assembly 1, 2, 3, 7, 9 |
| 9 | 996045 | Center Gasket (S)(C) |
| 10 | 8S | Shredder (C) |
| 11 | 7814RN | Rotor Nut (S)(C) |
| 12 | 997092 | Lock Washer (S)(C) |
| 13 | 983004 | Face Plate (C) |
| 14 | 996025 | Rotor Shaft Gasket (S) |
| 15 | 997070 | (2) Key 3/16" x 3/16" x 1" (S) |
| 16 | 980132 | Rotor Base Assembly (S) |
| 17 | S67350B | Varalip Seal (S) |
| 18 | 995009 | Spacer Seal TEB (S) |
| 19 | 993001 | Top End Bell Insert (S) 17, 18 |
| 20 | 985001 | Bearing Cup/Cone Top (S) |
| 21 | 12151 | O-Ring (S) |
| 22 | ANL79X15S | Tolerance Ring (S) |
| 23 | S67350 | Varalip Seal (S) |
| 24 | MH3 | Motor Housing 3" |
| 25 | 996037 | Drain Outlet 3" |
| 26 | 988015 | Drain Insert 3" |
| 27 | 997131 | Clamp Disposer 3" |
| 28 | 996038 | Drain Adaptor 2-3" |
| 29 | 11026 | O-Ring (S) |
| 30 | 2MHI | Stator w/Motor Housing Insert |
| 31 | 991019 | Motor Rotor 200-3 |
| 32 | 996020 | O-Ring (S) |
| 33 | BEBA123G | Bottom End Bell Assembly 34, 36, 37, 46 |
| 34 | 123 | Klixon O-Ring |
| 35 | KL2003 | Klixon |
| 36 | KLCG | Klixon Cover Gasket |
| 37 | KLC | Klixon Cover |
| 38 | 996023 | BEB Rubber Isolator (S) |
| 39 | 6205 | Bottom Bearing (S) |
| 40 | 987002 | Drive Washer (S) |
| 41 | 996024 | Friction Washer (S) |
| 42 | 987003 | Wave Washer (S) |
| 43 | 987001 | Retaining Washer (S) |
| 44 | 997050 | Castle Nut (S) |
| 45 | 997051 | Cotter Pin (S) |
| 46 | JBCA | Junction Box Cover |

SEAL AND CUTTING KITS

| | |
|--------|-------------------------|
| KSH123 | Seal Kit (All Models) |
| KCGRF2 | Cutting Kit (Model 200) |

(S) Designates Parts included in Seal Kit

(C) Designates Parts included in Cutting Kit

SPECIFY VOLTAGE AND PHASE WHEN ORDERING



The Salvajor Company

4530 East 75th Terrace

Kansas City, MO 64132-2081 USA

CALL FREE: 1-888-SALVAJOR FAX FREE: 1-800-832-9373