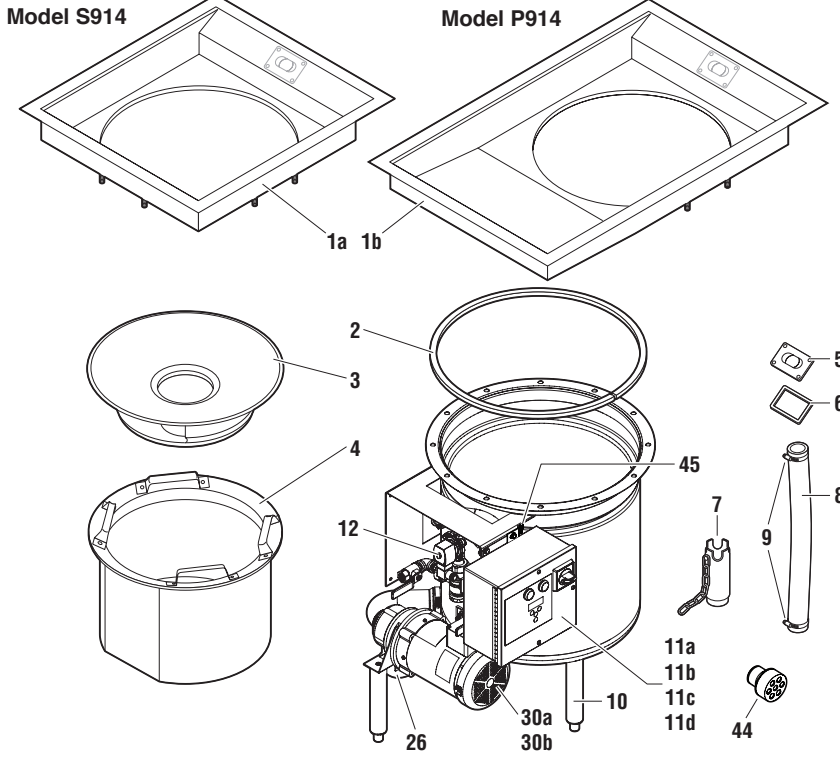


Salvajor Scrap Collector and Pot/Pan Collector

For Serial Numbers starting at
29766 for Model S914
& 27668 for Model P914

PARTS BREAKDOWN for Models S914 and P914

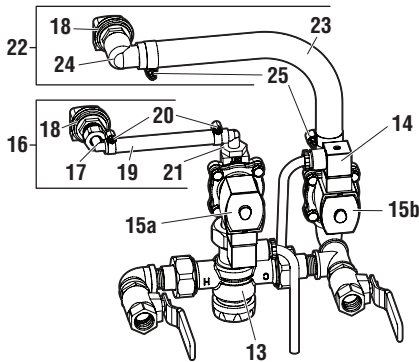
System Components



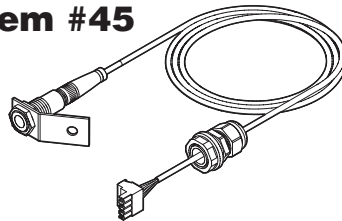
ITEM PART NO. DESCRIPTION

1a	980167	S914 Top Assembly
1b	980168	P914 Top Assembly
2	996058	Top Gasket
3	992011	Scrap Basin
4	992013	Scrap Basket
5	980146	Gusher Plate
6	996057	Gusher Plate Gasket
7	988006	Overflow Pipe Assembly
8	986055	Recirculation Hose
9	M32	Hose Clamp (sold separately)
10	914LESS	Stainless Steel Leg
11a	SS334	Control Panel 115V 1PH
11b	SS335	Control Panel 208-230V 1PH
11c	SS337	Control Panel 208-230V 3PH
11d	SS339	Control Panel 460V 3ph
12	980192	Water Harness 24V Assy (includes 13-25)
13	998124	Water Harness Blender (only)
14	994395	Din Cord Pigtail
15a	AS8242DIN	Solenoid Valve Assy 24V (2 GPM Flow Control)
15b	AS824DIN	Solenoid Valve Assy 24V (Unrestricted Quick Fill)
16	980159	Nozzle Assembly SC/PC/TC (includes 17-21)
17	998113	3/8" Nylon Elbow
18	2906	Fixed Nozzle
19	998022	3/8" Braided Tubing
20	997001	Hose Clamp
21	998046	Adaptor 3/8" X 1/2" 90 Deg Hose
22	980197	Quick Fill Nozzle Assembly (includes 18, 23-25)
23	988040	3/4" Braided Tubing
24	998136	Female 1/2" NPT 90deg 3/4" Barb
25	997183	1-1/16" Hose Clamp
26	980164	Pump Recirculation Pipe Assy (includes 27-29)
27	988027	Valve Assembly
28	S24	Hose Clamp
29	S914PDE	Rubber Elbow Discharge
30a	980076	Pump and Motor Assembly 1PH (includes 33-40)
30b	980077	Pump and Motor Assembly 3PH (includes 33-40)
31	996034	Elbow 125 Degree Rubber (sold separately)
32	980074	Pump Assembly (includes 33-39)
33	988010	Pump Housing
34	997089	Cap Screw (not used on 1-phase)
35	996027	Impeller
36	996028	O-Ring
37	ECK511	Seal Kit
38	988009	Pump Base
39	996030	V-Ring
40a	991060	Pump Motor 1PH
40b	991061	Pump Motor 3PH (shown)
41	980157	Leg Bracket (sold separately)
42	997061	Screw 3/8" (sold separately)
43	38L	Lockwasher (sold separately)
44	980110	Pump Intake Screen
45	980606	Sensor Kit for SS33

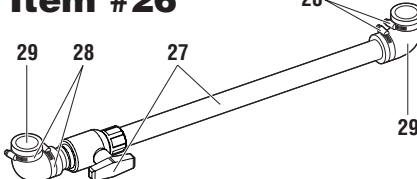
Item #12



Item #45

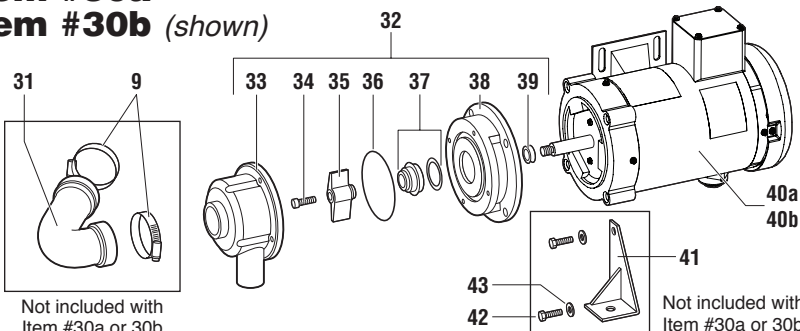


Item #26



Item #30a

Item #30b (shown)



Not included with
Item #30a or 30b

Not included with
Item #30a or 30b

U.S. Pat. No. 7,815,134

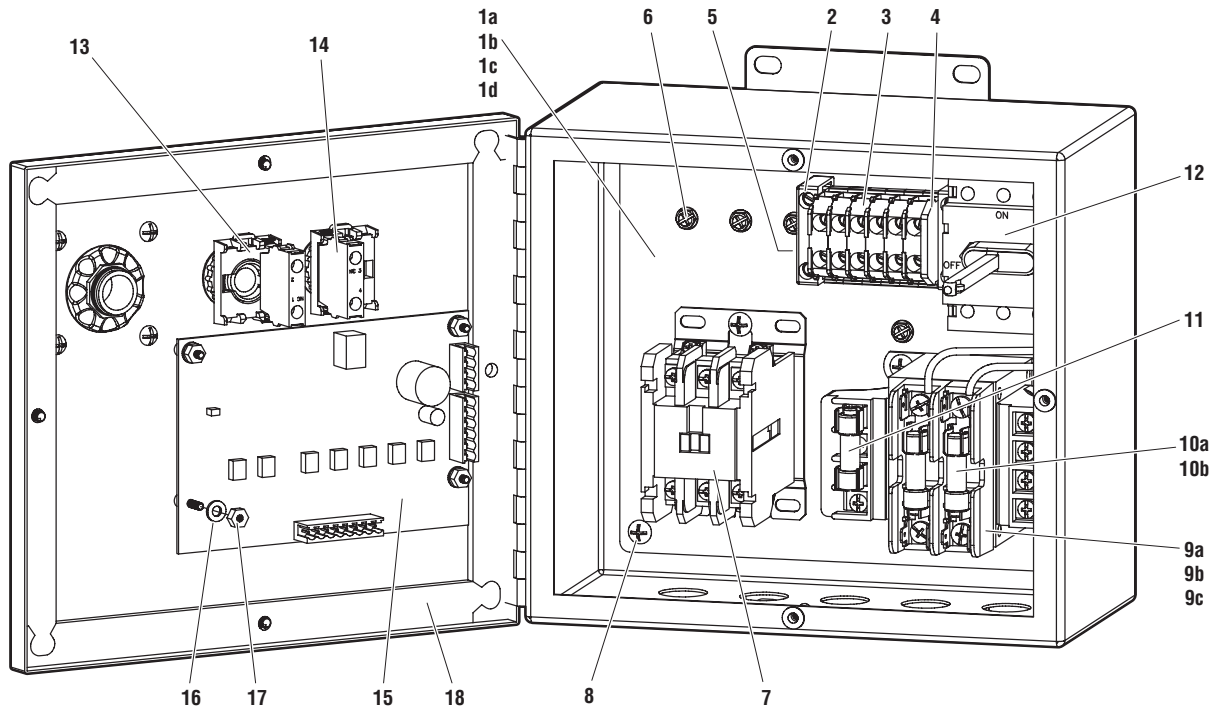
The Salvajor Company

4530 East 75th Terrace
Kansas City, MO 64132-2081 USA
1-888-SALVAJOR FAX 1-800-832-9373

Salvajor Model SS33

Automatic Start/Stop with Line Disconnect

PRE-WIRED CONTROL PANEL PARTS BREAKDOWN

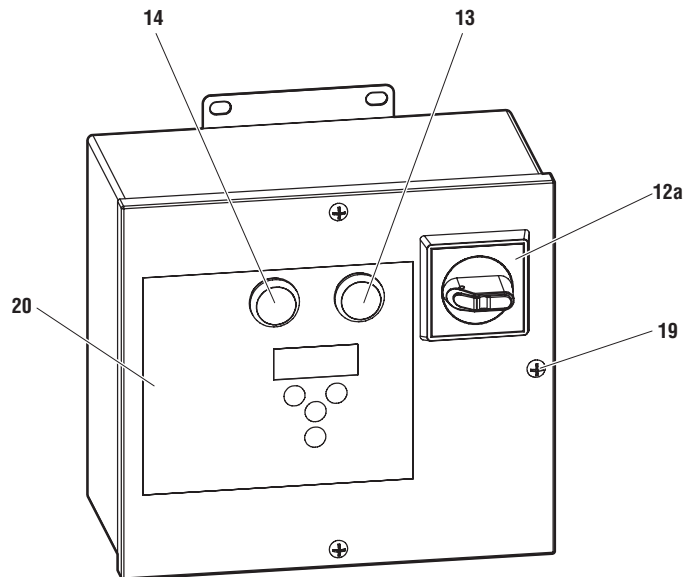


SS33 Item Numbers

VOLTAGE	PHASE	ITEM NO.
115	1	SS334
208 or 230	1	SS335
208 or 230	3	SS337
460	3	SS339

ITEM	PART NO.	DESCRIPTION
1a	SS334IP	SS33 Inner Panel 115V 1PH
1b	SS335IP	SS33 Inner Panel 208V 1PH
1c	SS337IP	SS33 Inner Panel 208-230V 3PH
1d	SS339IP	SS33 Inner Panel 460V 1PH
2	994294	End Clamp
3	994292	Terminal Block
4	994293	End Barrier
5	994295	Din Rail Mounting Track
6	SCR1032	Ground Screw 10-32
7	994174	Contactors 24V
8	997093	Screw 10-32 X 3/8"
9a	994116A	Transformer Assembly 115V
9b	994115A	Transformer Assembly 208-230V
9c	994115B	Transformer Assembly 460V
10a	994095	Fuse 1 AMP
10b	994122	Fuse .5 AMP
11	994101	Fuse 2 AMP
12	980209	Line Disconnect Assembly (Includes 12a)
12a	984016	Line Disconnect (Handle Only)
13	ABD200A	Button Stop
14	ABD100B	Button Start
15	994392	Solid State Control Panel
16	997161	Flat Washer 6-32
17	997160	Hex Nut 6-32
18	910GA	Gasket Assembly 9 X 10 Box
19	997032	Screw 10-32 X 5/8"
20	999235	Hydrologic Overlay

10" x 9" Box Assembly



The Salvajor Company

4530 East 75th Terrace
Kansas City, MO 64132-2081 USA

1-888-SALVAJOR FAX 1-800-832-9373