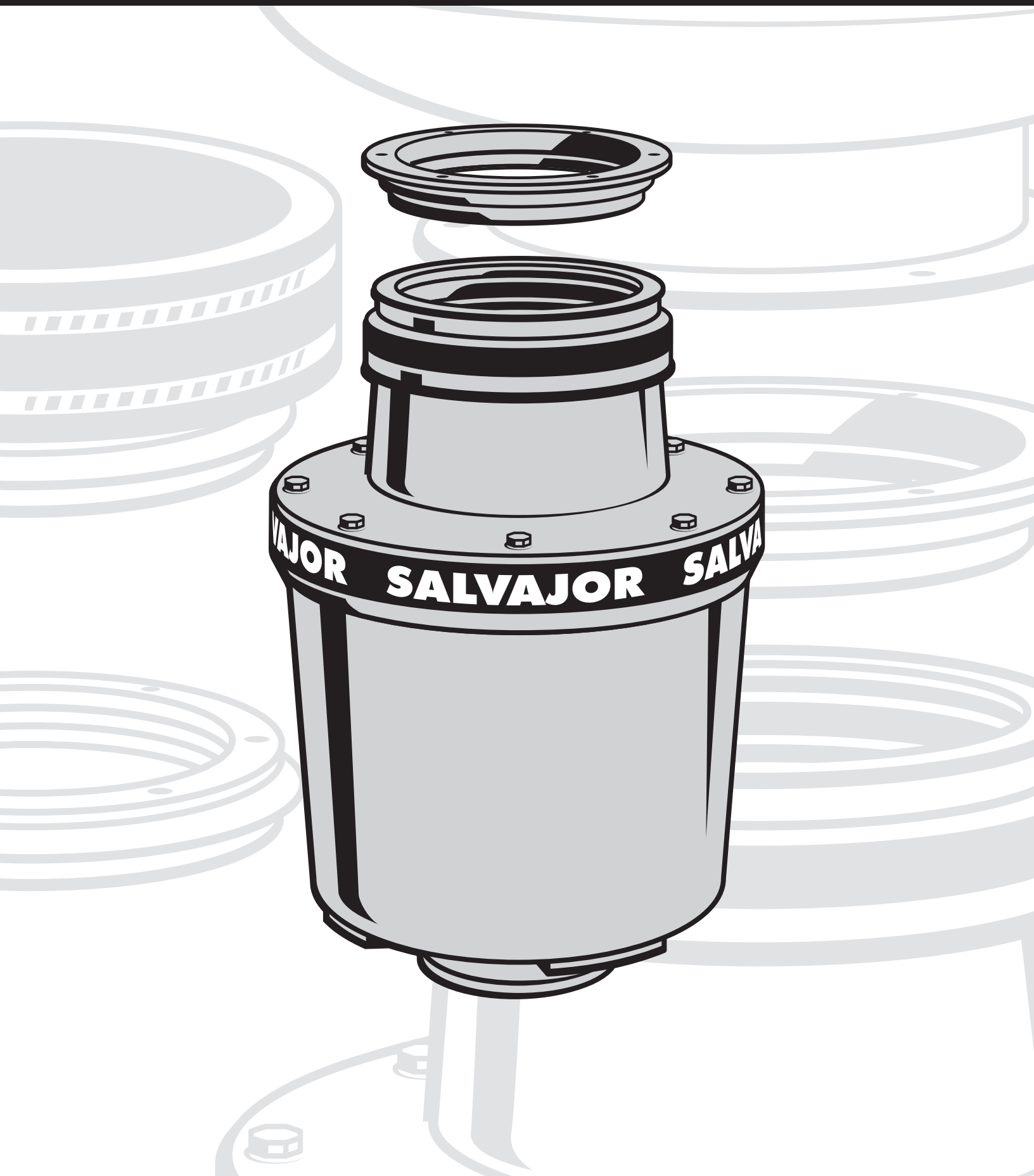


Salvajor Adaptor Mounting Kits

For replacing any disposer with a SALVAJOR DISPOSER





Adaptor Selection Chart

DIRECTIONS for selecting proper adaptor kit:

- Find existing cone or sink shape with the GROUP CHART shown at left.
- Measure #1 thru #5 dimensions from existing cone or sink. **DO NOT TAKE MEASUREMENTS FROM OLD DISPOSER.** Existing cone and disposer may be of different manufacture.
- Select the adaptor kit that corresponds with your measurements.

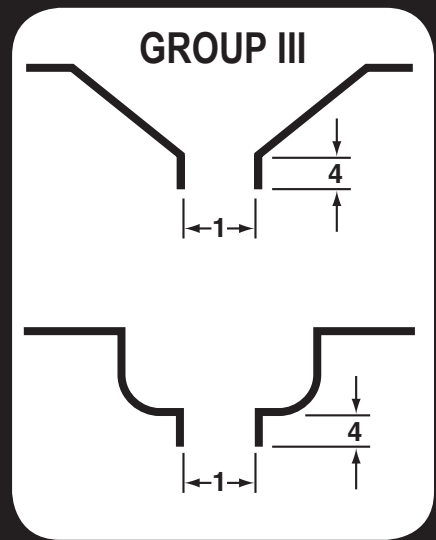
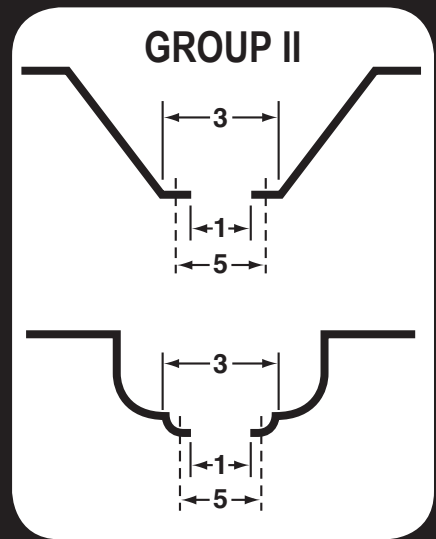
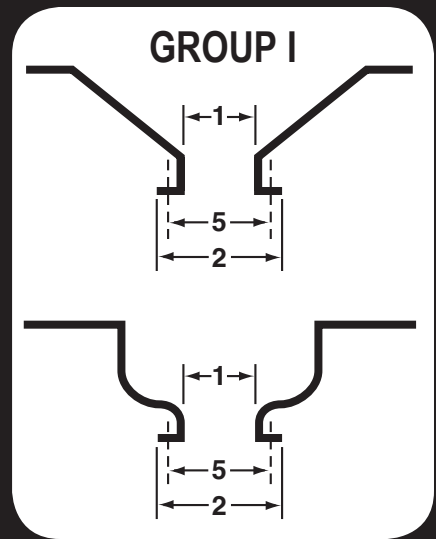
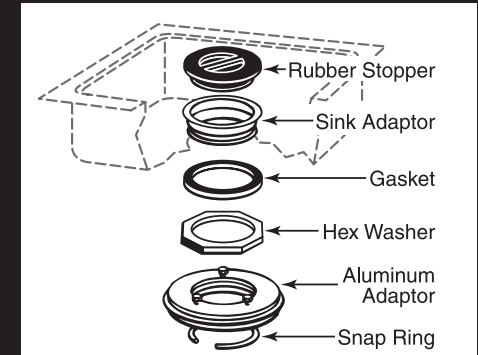
DIMENSIONS REQUIRED:

- #1 Throat opening.
- #2 Outside diameter of flange.
- #3 Diameter of inside bend.
- #4 Throat height.
- #5 Distance between opposite bolt holes.
- Number of bolt holes.
- Distance from bottom of cone/sink flange to floor.

If your measurements differ from those shown, Salvajor will fabricate to your needs. Call Salvajor Technical Support for assistance.

816-363-1030 or TOLL FREE 1-888-SALVAJOR (725-8256)

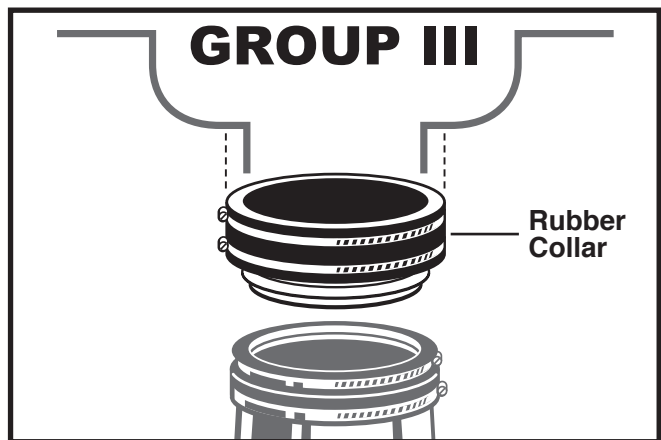
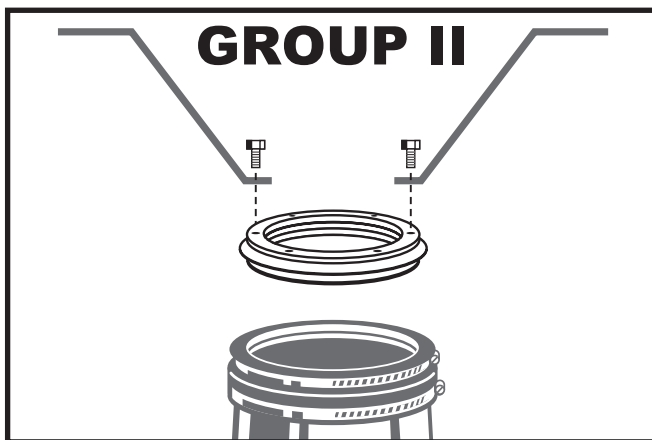
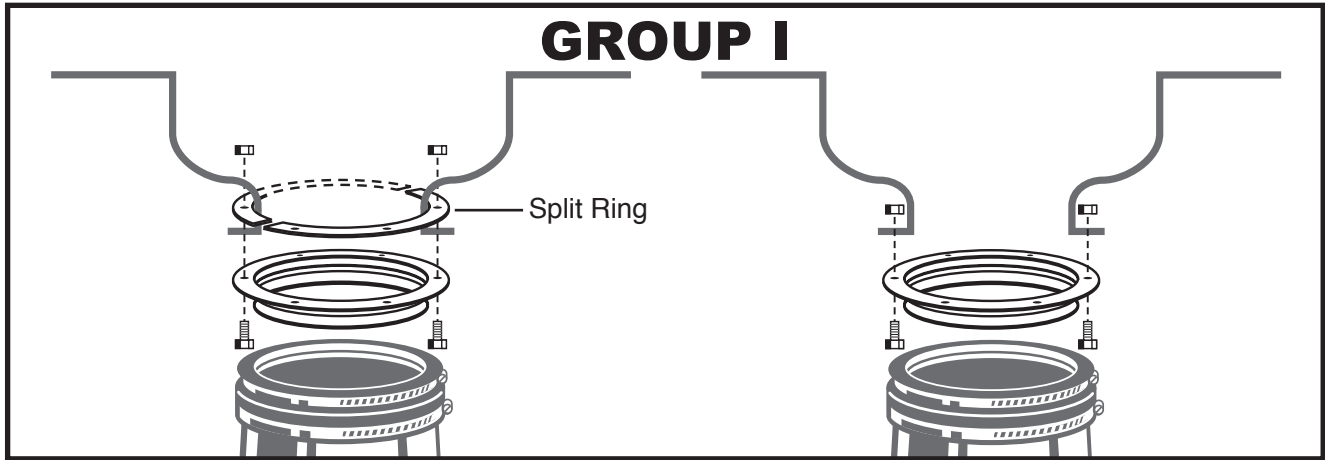
NOTE: If existing sink has standard 3 1/2"-4" opening, use #70 sink collar assembly in lieu of adaptor.



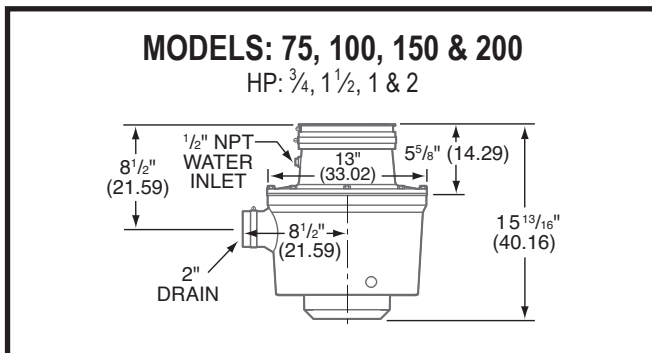
	USED BY:	DIMENSIONS FROM EXISTING CONE OR SINK:					Bolt Holes:	Salvajor Adaptor Kit Number:	SPECIAL INFORMATION:
		#1	#2	#3	#4	#5			
GROUP I	Waste King, ISE, Toledo, National	4 1/2"	5 1/8"					3500	Discard Previous Parts
	Waste King, Red Goat	4 1/2"	6 1/2"			5 1/2"	6	3500	Discard Previous Parts
	FMC	4 5/8"	5 1/8"					3500	Discard Previous Parts
	FMC, Avont	5	6 1/2"			6	6	3550	Discard Previous Parts
	FMC	5 1/4"	5 11/16"					3550	Retain FMC Split Ring
	Waste King	6	6 1/2"					4530A	Use Cone Mounting Ring
	ISE, Toledo, Bus Boy, Toastmaster	6	7 3/16"					3300	Discard Previous Parts
	Atomic, American Delphi	6	7 1/2"			6 3/4"	6	3000	Discard Previous Parts
	ISE	6 5/8"	7 1/8"					3900	Discard Previous Parts
	Hobart, Toledo, National	7	7 3/8"					3100	Discard Previous Parts
	Hobart, National, Big Genie	7	8 1/2"			8 1/16"	10	5050	Discard Previous Parts
	ISE, Toledo	8	9 1/4"					3400	Drill Holes in Cone Flange to Match Holes in Adaptor
Hobart	9	12 1/8"					3200	Discard Previous Parts	
GROUP II	Hobart	4 1/2"		6 7/8"		5 1/2"	6	7250	Retain Full Interior Ring
	Hobart	5		5 7/8"				7250	Retain Full Interior Ring
	Waste King, Bus Boy	5 7/8"		6 1/2"				7250	Retain Full Interior Ring
	Waste King, Bus Boy	5 7/8"		6 7/8"				7250	Retain Full Interior Ring
	GE	6		6 3/8"				7250	Retain Full Interior Ring
GROUP III	Red Goat	4 1/2"			1 1/8"			4200	Use Leg & Retain Existing Collar
	Waste King	6			1 1/8"			RFR	Use Leg & Retain Existing Collar
	Cannibal	6 1/2"			1 1/8"			STD. Equip.	Use Leg & Retain Existing Collar
	Red Goat	7			1 1/8"			7550	Use Leg & Retain Existing Collar
	Master, Insinger	8 1/4"			1 1/8"			8250	Use Leg & Retain Existing Collar

Salvajor Adaptor Installations

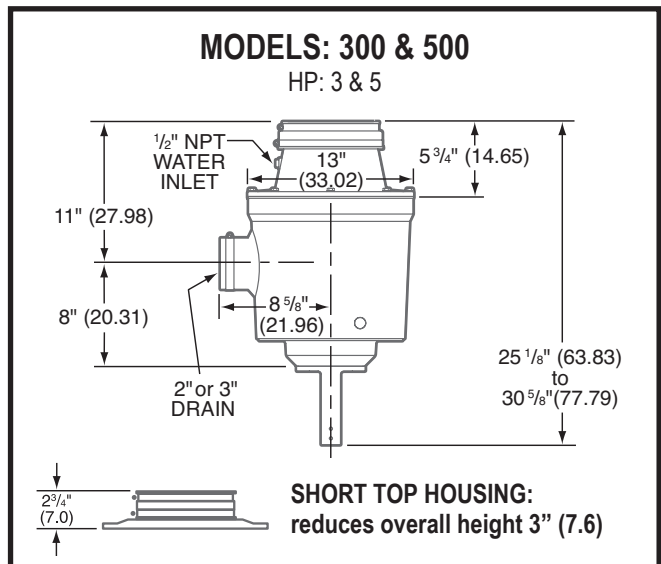
D E T A I L S A N D D I M E N S I O N S



SALVAJOR DIMENSIONAL DATA



NOTE: Dimensions in parenthesis are in centimeters



The Salvajor Company 4530 East 75th Terrace Kansas City, Missouri 64132-2081, USA

1-800-821-3136

(816) 363-1030

FAX: 1-800-832-9373

www.salvajor.com

Email: sales@salvajor.com

service@salvajor.com

Manufacturers of Commercial Food Waste Disposing Systems since 1944